

For using FR-15.

Before operating your FR-15, please read this manual thoroughly and keep it for future reference.

ACEBIL accepts no liability whatever for incidental damages arising out of the use or inability to use the product, including, but not limited to, damage to the camera, etc., corruption or loss of data, lost business revenue or suspension of business operations.

ACEBIL accepts no liability whatever for damages arising from improper use not conforming to the instructions in the instruction manuals.

■Features

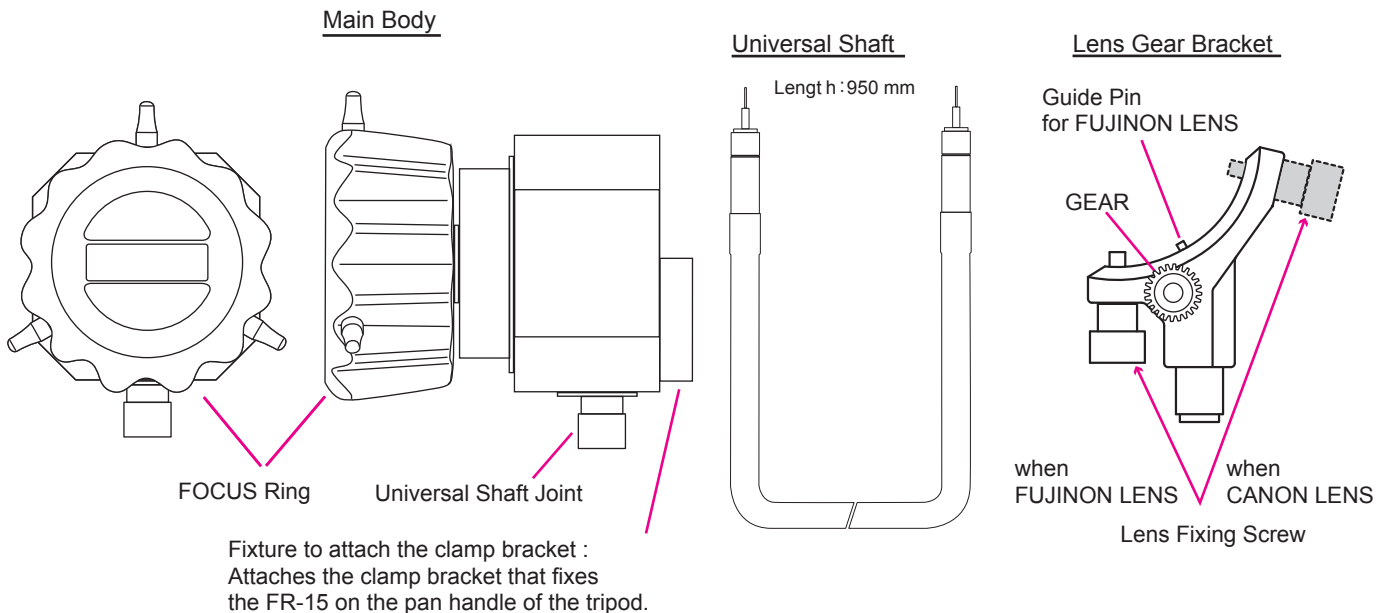
- For the FUJINON LENS or CANON LENS.

When installing this product, be careful not to damage the lens
This product may not support some lenses.
When this product - the lens fixation screw, the guide pin or of
We cannot take responsibility for the troubles or damages that

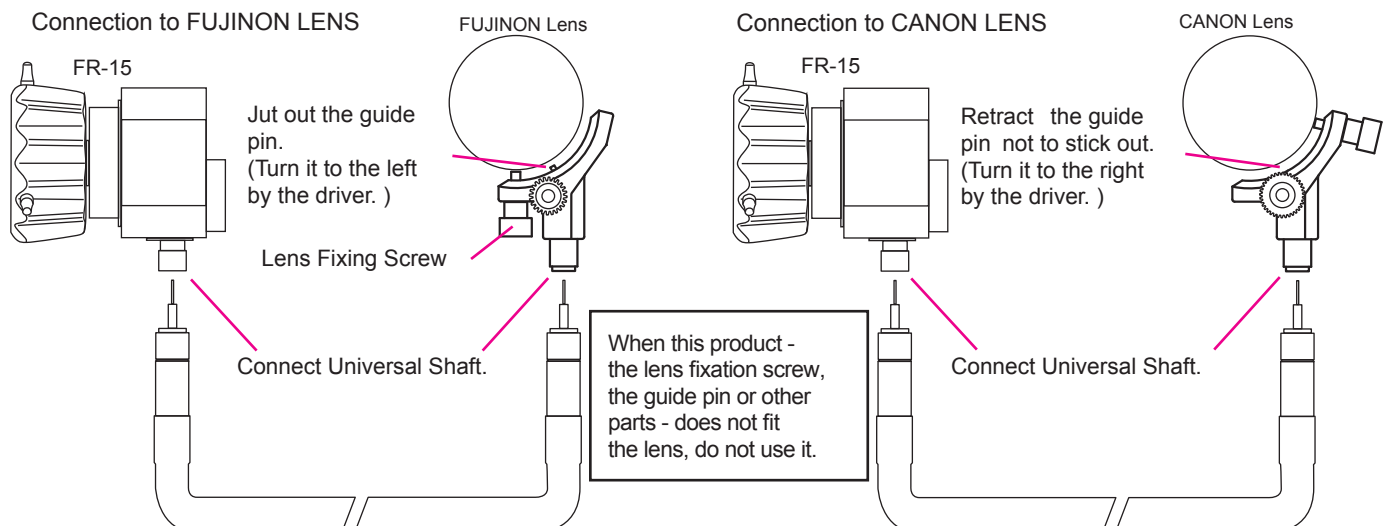
or other parts by over-tightening of the fixing screw.

her part - does not fit the lens, do not use it.
occured because of improper installation or use.

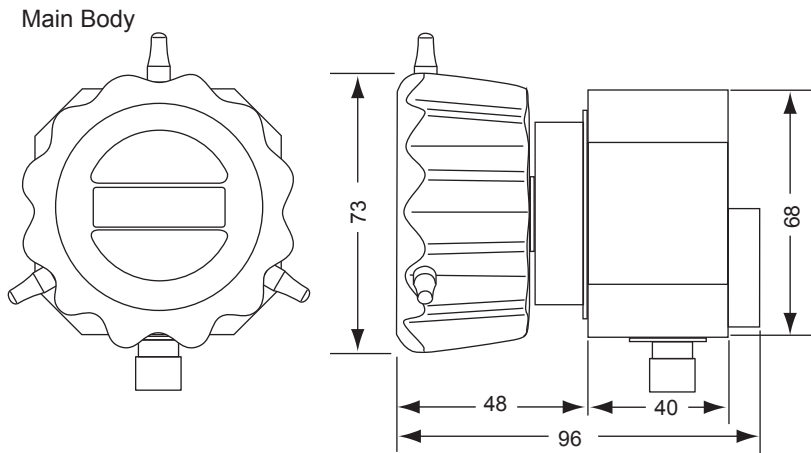
■Parts Names and Functions



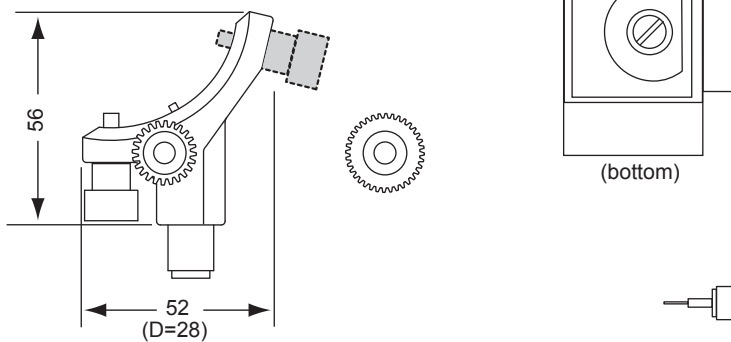
■Connection/Use



■ Outsideview and Dimensions

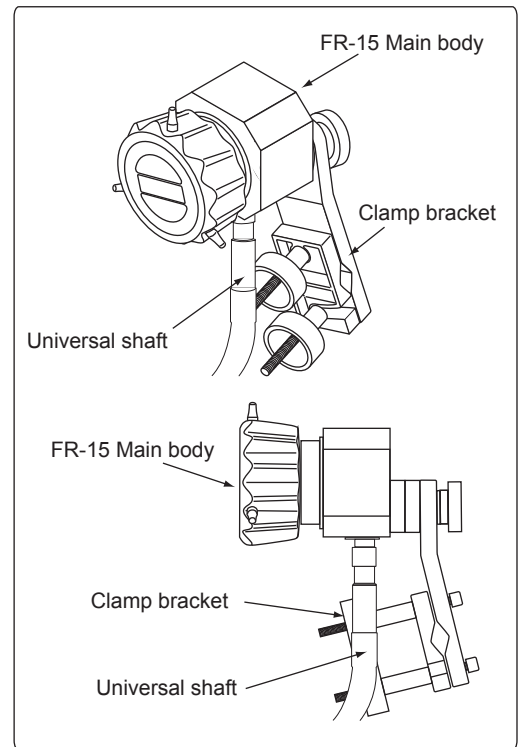


Lens Gear Bracket



Gear for FUJINON Lens

Gear for CANON Lens



Universal Shaft

Length : 950 mm



■ Specifications

Applicable Lens	FUJINON Lens(FUJI FILM), CANON Lens(CANON) (except some models)
Components	Main Body :1, Clamp Bracket : 1, Universal Shaft : 1, Lens Gear Bracket : 1, Gears:2 1x for FUJINON Lens and 1x for CANON Lens
Dimensions	Main Body : (WxHxD) approx. 73x73x96 mm, Universal Shaft : (Length) approx. 950 mm
Weight	Main Body : approx. 0.5 Kg, Clamp Bracket : approx. 0.45 Kg, Univerasal Shaft : approx. 0.55 Kg, Lens Gear Bracket : approx. 0.1 Kg
Operating Temperature	0 °C - 40 °C
Storage Temperature	-20 °C - 60 °C
Accessories	Wrench for the gear exchange, Guide pin adjustment driver for the FUJINON Lens, Operating Instructions

NOTE

Features, design and specifications are subject to change without notice.