

# NH-202

# Dual NP Battery Holder with DC-Plate

## Instruction Manual

The NH-202 is a battery holder to accommodate two NP type batteries to supply power to a camera. The NH-202 can also supply power to an on-board camera light.

### Features

- Longer camera runtime using two batteries.
- Battery capacity data function allows displaying of remaining capacity of the batteries in camera viewfinder. Refer to [Digi-View] for further details.
- Synchronization of on-board camera light with camera VTR for automatic light control in camera/VTR record mode. Refer to [Synchron] for further details.

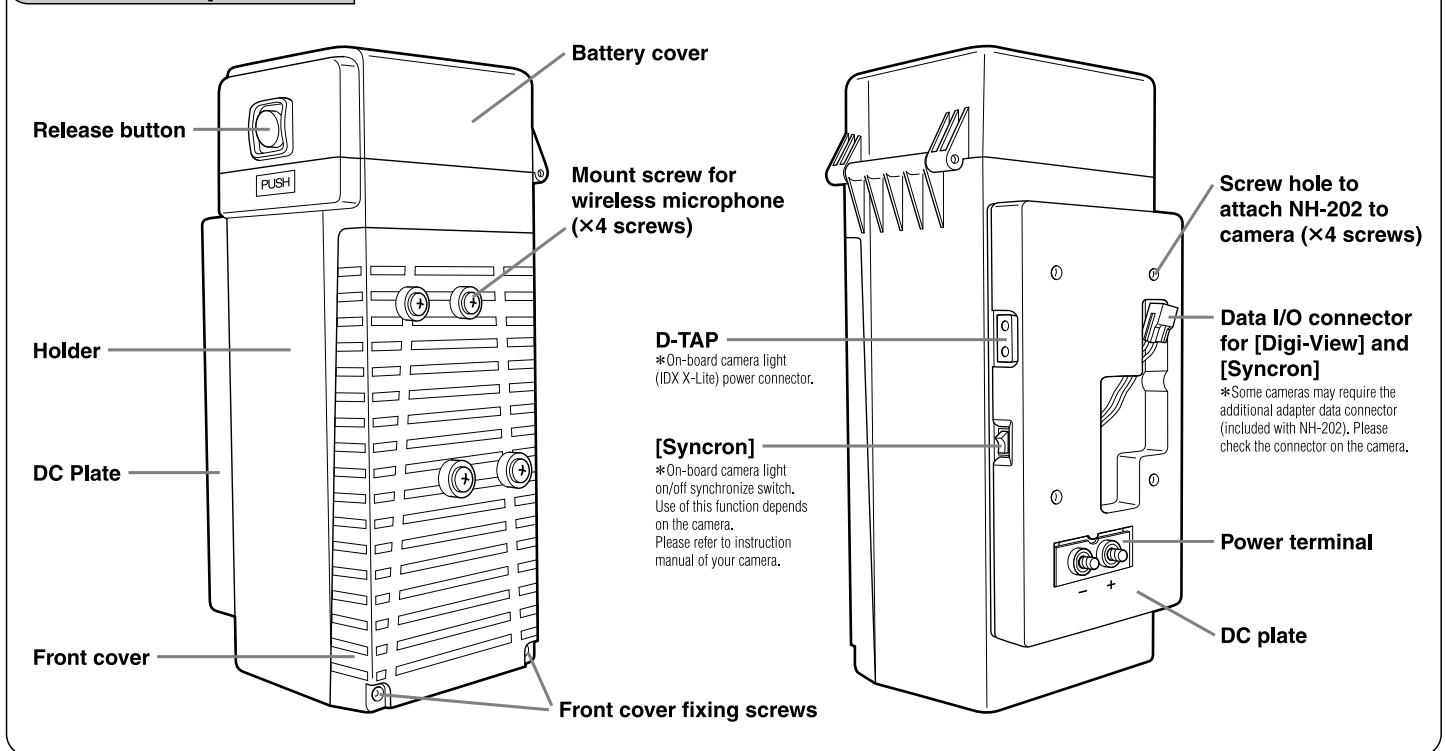
### Specifications

- Dual battery holder for use with NP type batteries
- D-Tap DC out connector for on-board camera light. Maximum recommended wattage 35Watt for Li-ion batteries and 50Watt for Ni-Cd batteries.
- Dimensions: 97(W)×200(H)×85(D)mm
- Weight: approx.370g

### Included Accessories

- Instruction manual ×1
- Power connector cable ×1
- Rubber Seal (self-adhesive) ×1
- Data adaptor I/O cable with connector ×1
- Magnetic screwdriver ×1
- M3×20mm screws ×4

### Part Description



### Operating precautions

To enable correct use and fitting of the NH-202, the following instructions should be read carefully before use.

- To use one battery only, either of the two battery slots in the holder may be used.
- To use two batteries, charged batteries with the same specification are highly recommended. Each battery should be fully charged to maintain the best battery condition. In using Li-ion batteries, combination of batteries with greatly different charged capacities and under high load may activate the battery circuit protection function and stop supplying power to the camera. For the same reason a combination of one Li-ion battery with either Ni-MH battery or Ni-Cd battery is to be avoided. The combined use batteries with different voltage ratings are never recommended. The NH-202 is designed for optimum use with two IDX NP Li-ion batteries.
- Either battery can be changed without switching off your camera. This hot swap feature allows continuous runtime on your camera. To change batteries, either can be changed in any order. However care should be taken when both batteries are almost empty and attempting to swap, as the camera may stop if the remaining battery does not have enough capacity to power the camera alone. Thus to change batteries while maintaining the camera running the batteries may need to be changing earlier than the standard warning time normally indicates.
- When using [Synchron] with Li-ion batteries, both batteries must have similar charged capacity. Using [Synchron] with only one Li-ion battery may activate the battery protection circuit and stop power to your camera.
- When using [Synchron] with Li-ion batteries, your camera must be switched off before the Li-ion batteries are inserted into your NH-202. If batteries are inserted when your camera is switched on, the battery protection circuit may activate thus stop power to your camera.

## Fitting to the Camera

First remove the "Front cover" (Fig. 1) and then mount on camera (Fig. 2). Attach the "Front cover" again. To use [Digi-View] and/or [Synchron], the data I/O connector, if fitted on the camera, must be firmly connected.

Fig.1

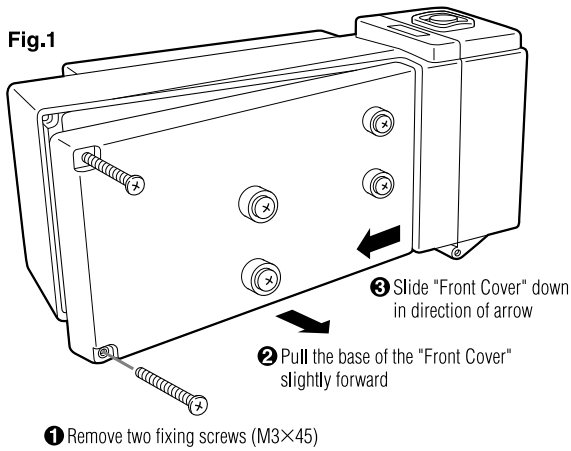
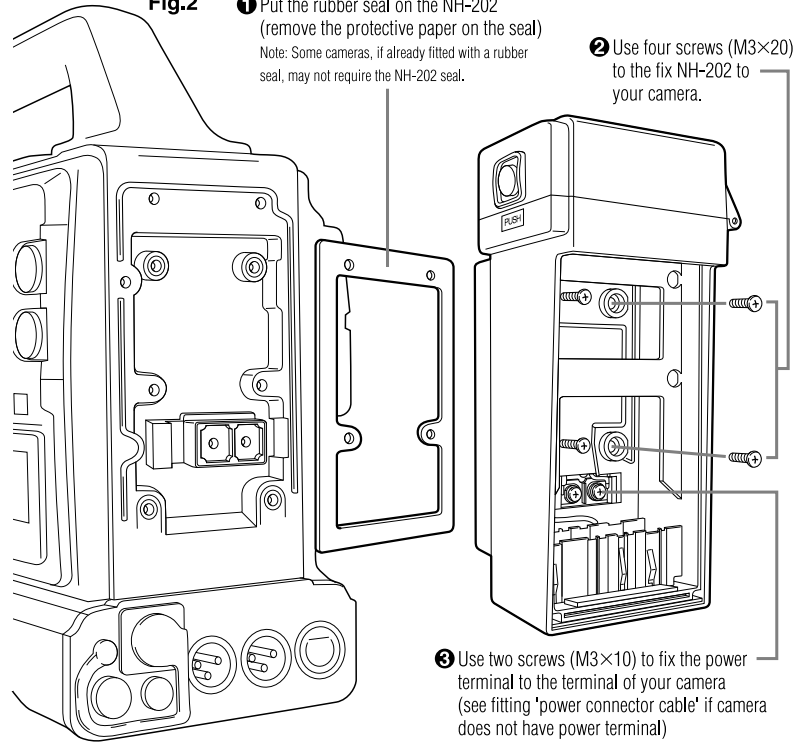


Fig.2

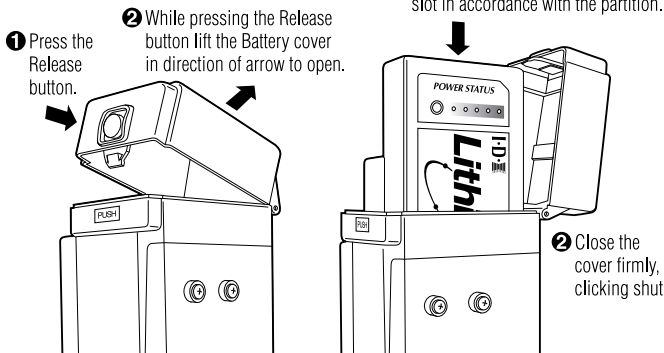
1 Put the rubber seal on the NH-202 (remove the protective paper on the seal)  
 Note: Some cameras, if already fitted with a rubber seal, may not require the NH-202 seal.

2 Use four screws (M3x20) to fix NH-202 to your camera.

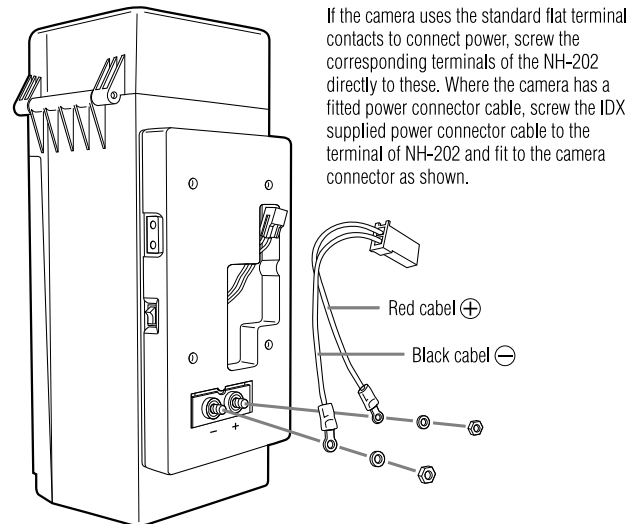


3 Use two screws (M3x10) to fix the power terminal to the terminal of your camera (see fitting 'power connector cable' if camera does not have power terminal)

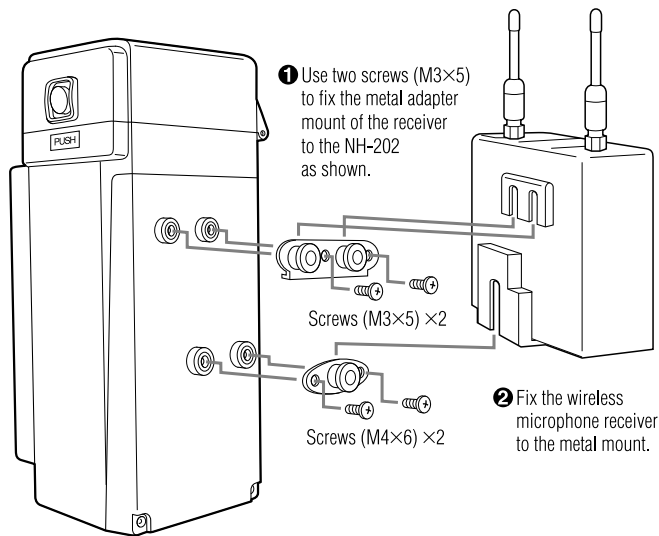
## Battery insertion



## Fixing the Power Connector cable to camera



## Attaching a wireless microphone receiver



### [Digi-View]

Digi-View is a system that allows the remaining battery capacity of IDX Lithium Ion batteries to be displayed in the camera viewfinder. Cameras, designed with this feature, show this remaining battery capacity as a percentage and are fitted with a data receiving I/O connector at the back of the camera. By connecting the data I/O cable fitted to the NH-202 to the data receiving connector at the back of the camera, and using IDX NP type Lithium Ion batteries, the remaining capacity of the batteries can be displayed on the camera viewfinder.

### [Synchron] Automatic Light Control System

Synchron allows an on-board camera light to be switched on and off automatically when the camera record button is pressed. This feature is available for cameras fitted with the appropriate I/O data connector on the rear of the camera.

**Connection:** Select the Synchron switch on the NH-202 to "ON", switch the on-board light to "ON" and connect the light cable to NH-202 D-TAP connector. Press the camera record/VTR button to activate the light. To return the light to normal operation set the Synchron select switch to "OFF".