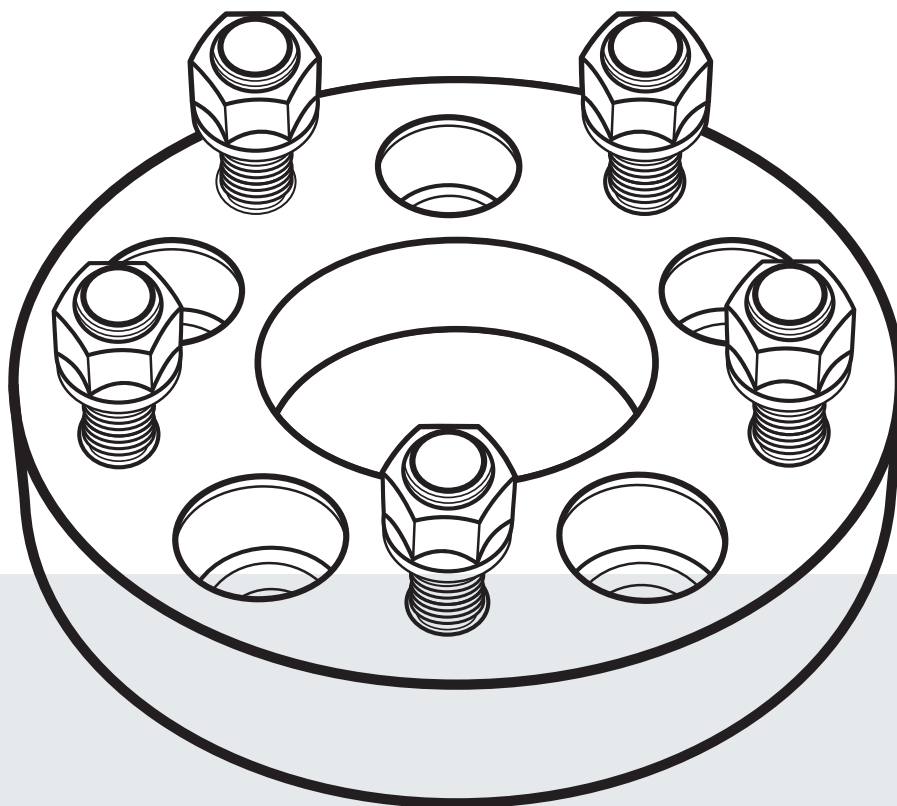




Wheel Spacers/Adapters



**CAREFULLY READ INSTRUCTIONS
PRIOR TO THE FIRST USE OF THE
WHEEL SPACERS/ADAPTERS**

Wheel Spacers

SET-UP & CARE INSTRUCTIONS

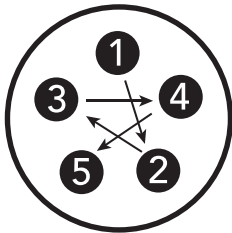
TOOLS REQUIRED

Jack Stands
Floor Jack
Torque Wrench

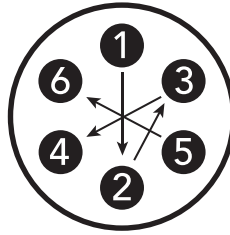
Socket Set
Wire Brush
Brake Cleaner

*Do not use a torque gun and/or impact

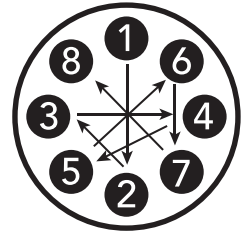
TIGHTENING PATTERNS



5 Lug Tightening Pattern



6 Lug Tightening Pattern



8 Lug Tightening Pattern

INSTALLATION PROCEDURE

1 Start by parking your vehicle on a level surface, and remember to switch on Jack Mode if your vehicle is equipped with air suspension

2 Only loosen the lug nuts on the wheels you intend to mount the wheel spacers on. Do not completely remove the lug nuts. Properly lift the vehicle with a floor jack and secure with jack stands. Now continue removing the wheels.

3 Inspect the rotors to make sure there is no damage or cracks, then clean the hub and thread pitch thoroughly and ensure the surface is clean and smooth.

4 You may need assistance in preventing the drum and the rotor from spinning. Have assistant apply brakes. Apply the provided thread lock to the factory wheel studs and assemble spacer/adaptor to drum/rotor. Place the wheel spacer on the studs of the hub and make sure the studs of the spacer face outwards

5 Install the supplied lug nuts in a star/crisscross pattern and torque to 90ft-lb. as shown in diagram 1 by using a torque wrench.

Wheel Spacers

SET-UP & CARE INSTRUCTIONS

6

Please be sure to check the installation, the spacer should sit flush with the brake rotor without any gap. Once installed, confirm OEM wheel studs do not extend past wheel spacer/adapter. If they do stick out, you will need to purchase shorter lug bolts.

7

Reinstall the vehicle's wheels to their original positions and hand tighten the lug nuts up until they're firm against the center. Safely lower the vehicle and torque the stock lug nuts on the wheels in the same star/crisscross pattern to their proper torque specifications. We recommend referencing your factory service manual.

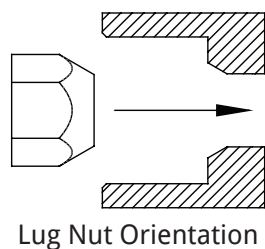
8

We highly recommend after driving 50 miles, to check the wheel spacer/adapters are properly seated, by torquing them to 80 ft-lb. USING TORQUE WRENCH! **If wheel spacer/adapter lug nuts move at all when torqued at 80 ft-lb. USING TORQUE WRENCH please revert back to step 5 and redo installation.

9

Follow up inspection after 2000-3000 miles, check if wheel spacer/adapter lug nuts move at all when torqued at 80 ft-lb. USING TORQUE WRENCH please revert back to step 5 and redo installation

Diagram 1

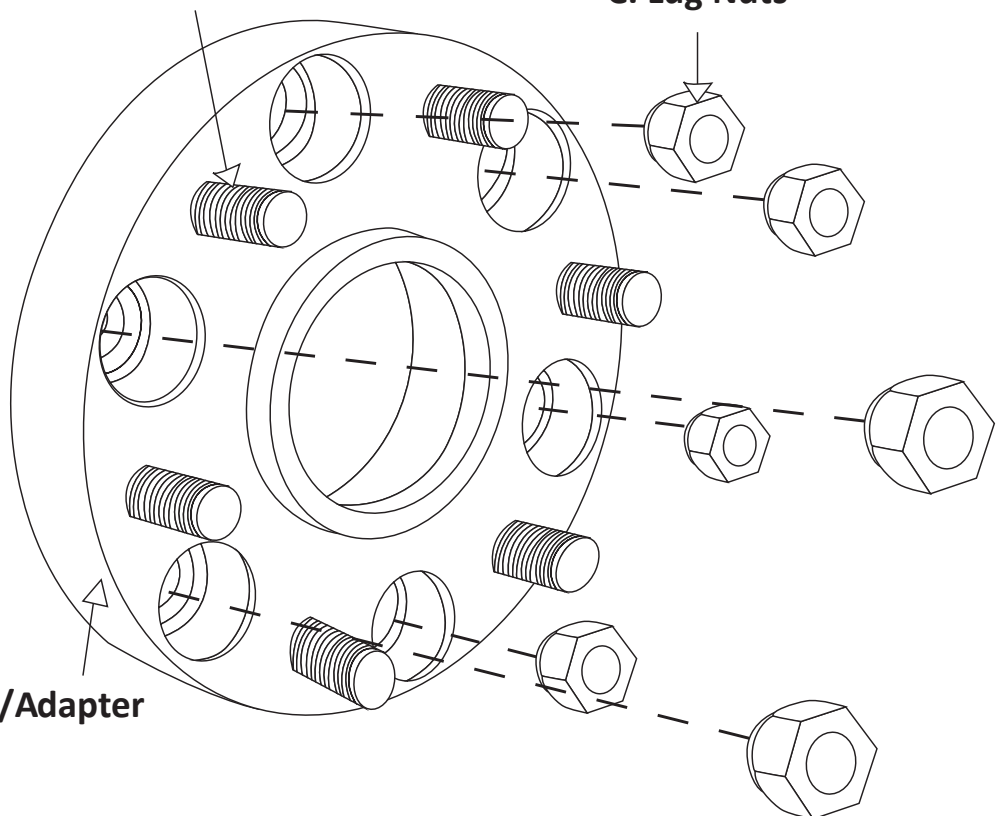


A. Wheel Spacer/Adapter
B. Wheel Stud
C. Lug Nuts

A. Wheel Spacer/Adapter

B. Wheel Stud

C. Lug Nuts



MAINTENANCE TIPS

RETORQUE ALL WHEEL SPACER/ADAPTER LUG NUTS WITH A TORQUE WRENCH ON THE VEHICLE AFTER THE FIRST 50-100 MILES, AND THEY SHOULD BE RETORQUED EVERY 3,000 - 5,000 MILES. THEY SHOULD BE RETORQUED AFTER EVERY OIL CHANGE AND/OR TIRE ROTATION. THIS IS VERY IMPORTANT TO ENSURE SAFETY.

WARRANTY INFORMATION

Overland Vehicle Systems warrants only to the original purchaser that all products will be free from defects in materials and workmanship. The foregoing warranty is subject to the proper installation, operation and maintenance of the product in accordance with the installation instructions supplied. Warranty claims must be made by the purchaser in writing within 30 days of the manifestation of a problem and purchaser must present acceptable proof of original ownership (such as copy of original receipt). Overland Vehicle Systems reserves the right, before having any obligation under this Limited Lifetime Warranty, to inspect the damaged product and all costs of shipping the product to Overland Vehicle Systems for inspection shall be borne solely by the purchaser. Overland Vehicle Systems' sole obligation under the foregoing warranty is, at Overland Vehicle Systems's option, to repair, replace or correct any such defect that was present at the time of delivery. The foregoing warranty is not transferable to another party and does not apply to any purchaser who bought the product from a reseller or distributor not authorized by Overland Vehicle Systems.

FOR OFF-ROAD USE ONLY

DRIVE THE VEHICLE UNDER CONTROLLED CONDITIONS TO ENSURE PROPER INSTALLATION OF COMPONENTS. GRADUALLY WORK UP TO FOUR WHEELING SPEEDS.



WARNINGS

- **PLEASE CHECK THE YEAR AND MODEL OF YOUR VEHICLE AS WELL AS THE PARAMETER OF WHEEL SPACERS BEFORE INSTALLATION. PURCHASING THE WRONG ONE'S MAY RESULT IN SAFETY ISSUES AND DAMAGE TO YOUR VEHICLE.**
- **FAILURE TO TIGHTEN IN A STAR/CRISS-CROSS PATTERN MAY RESULT IN MISALIGNED WHEEL SPACER/ADAPTER, BREAKAGE OF BOLTS, AND/OR DAMAGE TO HUB.**
- **PLEASE DO NOT PROCEED WITH THE INSTALLATION IF YOUR FACTORY WHEEL STUDS OR LUG NUTS MAKE CONTACT WITH THE BACK OF YOUR WHEELS.**
- **PLEASE READ THE INSTALLATION GUIDE AND YOUR VEHICLE USER MANUAL CAREFULLY, WE WILL BE NOT RESPONSIBLE FOR ANY INJURY OR LOSS BY ABNORMAL INSTALLATION AND IMPROPER USE.**
- **IF YOU ARE NOT QUALIFIED OR LACK THE SKILL TO DO THE INSTALLATION, PLEASE CONSULT WITH A PROFESSIONAL TECHNICIAN.**
- **PLEASE MAKE SURE TO TAKE THE NECESSARY SAFETY PRECAUTION BEFORE OPERATION**
- **WALK AROUND YOUR VEHICLE AND INSPECT ALL THE WHEELS INDIVIDUALLY AND ENSURE THAT EVERYTHING IS TORQUED CORRECTLY PER YOUR FACTORY SERVICE MANUAL.**
- **DO NOT USE AND IMPACT OR TORQUE GUN AT ANY POINT IN THIS INSTALLATION.**



DO YOU NEED OUR HELP?



CUSTOMER SUPPORT 833-226-4863



SALES@OVERLANDVEHICLESYSTEMS.COM

**WANT TO SHOW US YOUR RIG?
CHECK OUT OUR SOCIAL!**

@overlandvehiclesystems

