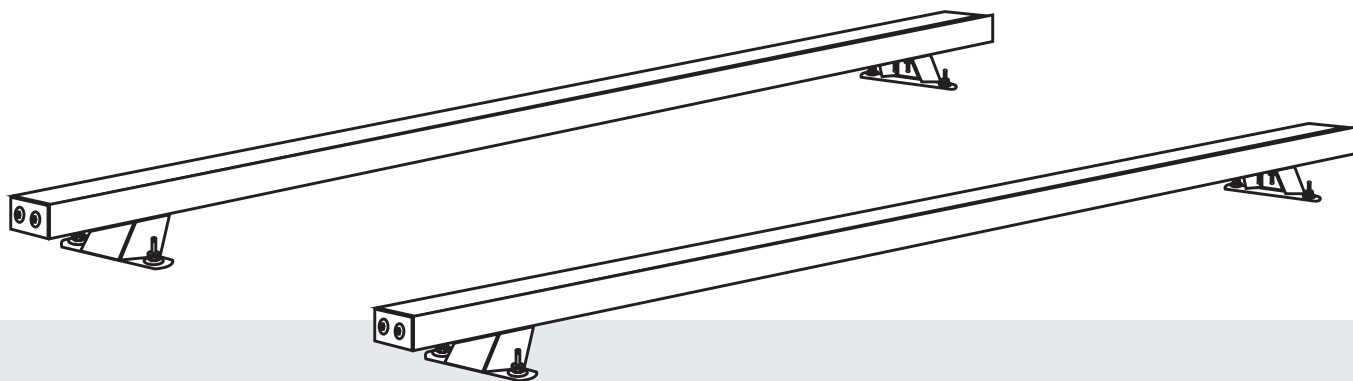




Expedition Truck Cap Cross Bars



**CAREFULLY READ INSTRUCTIONS
PRIOR TO THE FIRST USE OF THE
EXPEDITION CROSS BARS**

GET TO KNOW YOUR EXPEDITION CROSS BARS

Do not use power tools to torque nuts, hand torque all hardware and tighten with 13mm wrench

Recommended Tools:

13mm Wrench
Provided Allen Key

BOM:

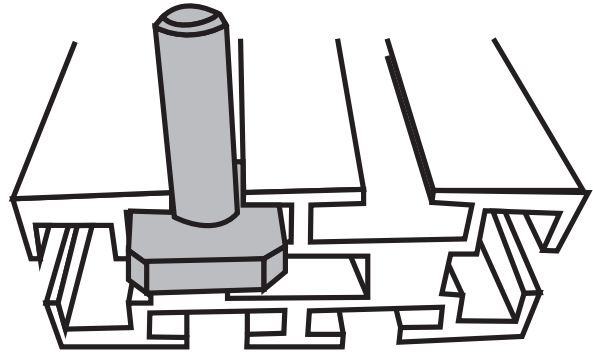
2x Cross Bars
4x Mounting Brackets
16x T-Bolts
16x Washers

16x Nyloc Nuts
4x End Caps
8x Button Head Bolts

1

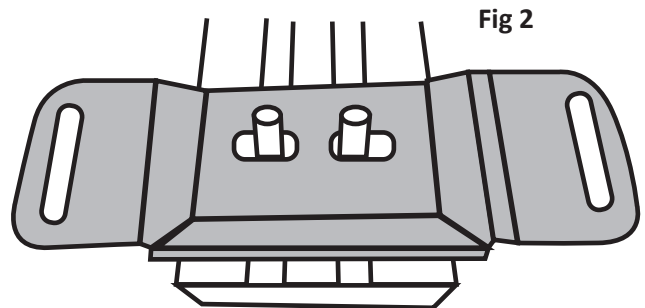
Place Cross Bar on Flat Surface and Insert 2 T-Bolts into the bottom Sides of Each Side of the Crossbar.

Repeat for other Cross Bar.



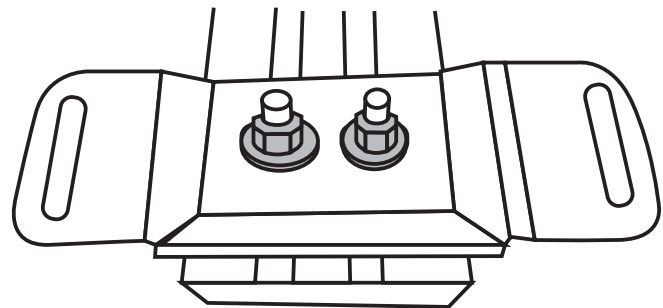
2

Place Mounting bracket onto the 2 T-Bolts as shown in Fig. 2



3

Loosely Install washers and Nylock Nuts onto T-Bolts



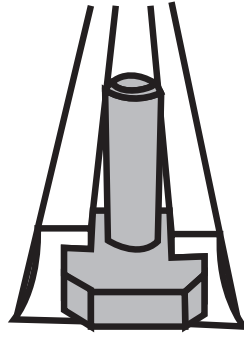
Expedition Cross Bars

SET-UP & CARE INSTRUCTIONS

4

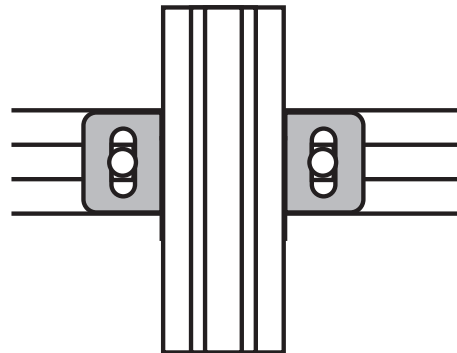
Insert 4 T-Bolts into Each of the Integrated Expedition Cap Roof Rails on both driver and passenger sides.

NOTE: Distance between cross bars will vary and depend on your application of accessories.



5

Set the Mounting Brackets with Cross Bars installed onto the T-Bolts in the integrated roof rails.



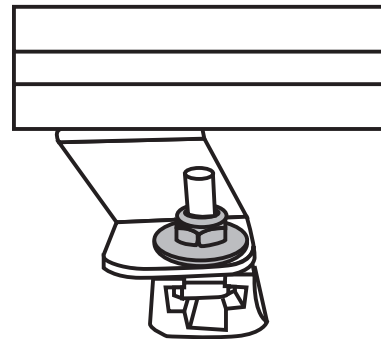
6

Loosely Install washers and Nylock Nuts onto T-Bolts

NOTE: Distance between cross bars will vary and depend on your application of accessories.

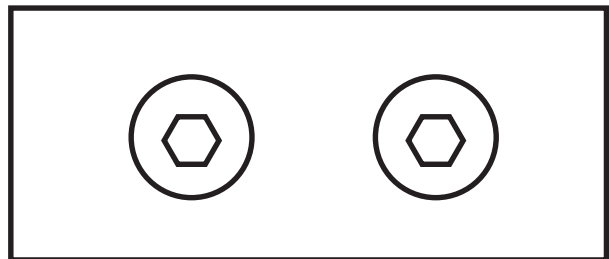
Loosely Install washers and Nylock Nuts onto T-Bolts

Once positioned to desired locations, carefully torque all nuts with 13mm wrench.

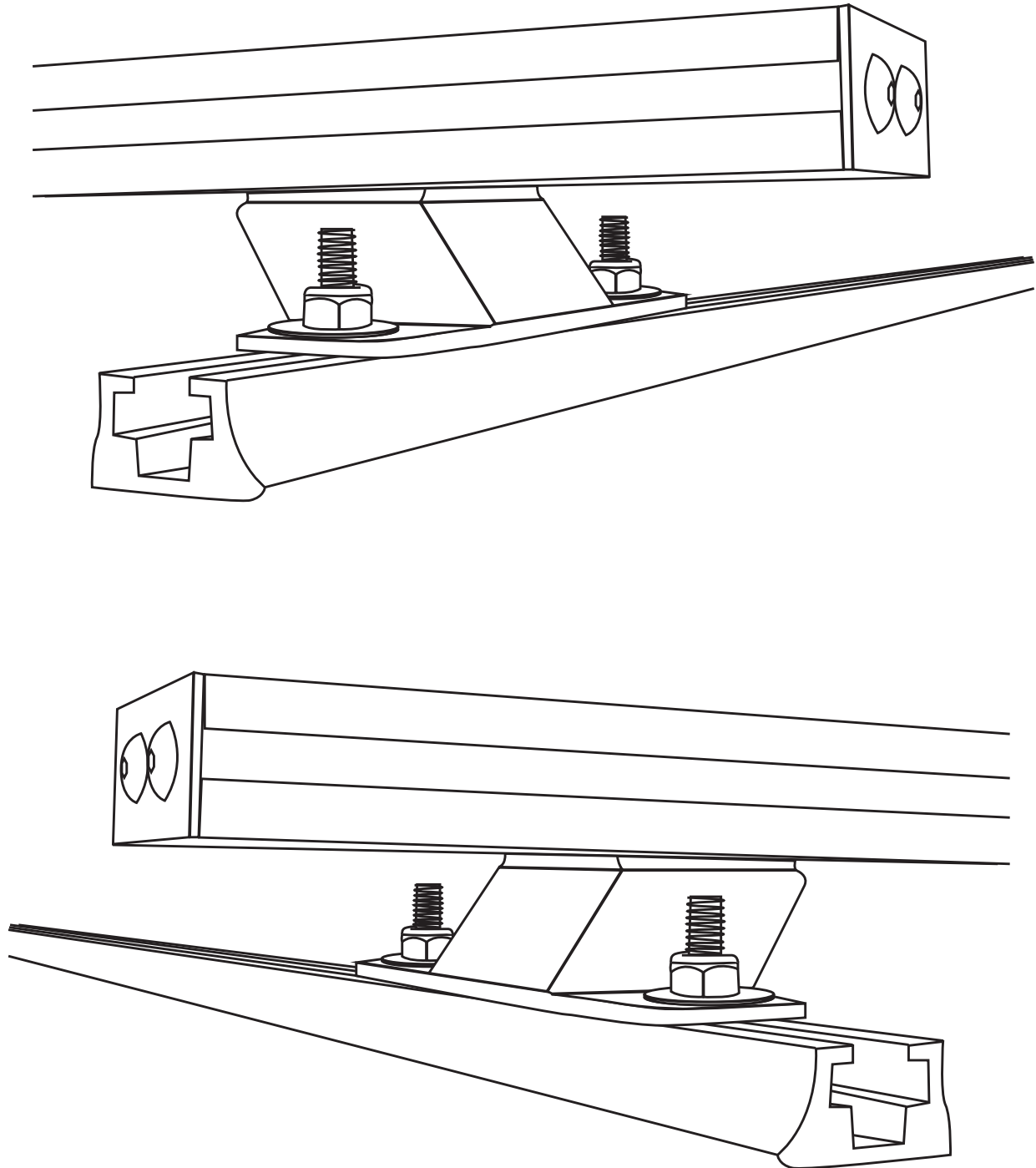


7

Install End Caps to All Ends of Cross Bars with 8 Button Head Bolts and Tighten using Provided Allen Key



END RESULT ONCE FINISHED



Expedition Cross Bars

SET-UP & CARE INSTRUCTIONS

SEPTEMBER 2024

CLEANING

Clean with water, automotive detail soaps, and microfiber towels. Do not use automotive wax or polish on textured finish. Do not expose to petrol, diesel, oils, or other harsh chemicals.

STORING

Store in a cool and dry area, when not in use.



WARNINGS

- Do not use power tools to torque nuts, hand torque all hardware and tighten with 13mm wrench.
- Use only the tools recommended.
- Use provided hardware
- It is recommended to re-tighten all fasteners after the first 50 miles and every 500 miles thereafter
- Do not use a heat gun near combustible or flammable materials/atmospheres.



DO YOU NEED OUR HELP?



CUSTOMER SUPPORT 833-226-4863



SALES@OVERLANDVEHICLESYSTEMS.COM

WANT TO SHOW US YOUR RIG?
CHECK OUT OUR SOCIAL!

@overlandvehiclesystems

