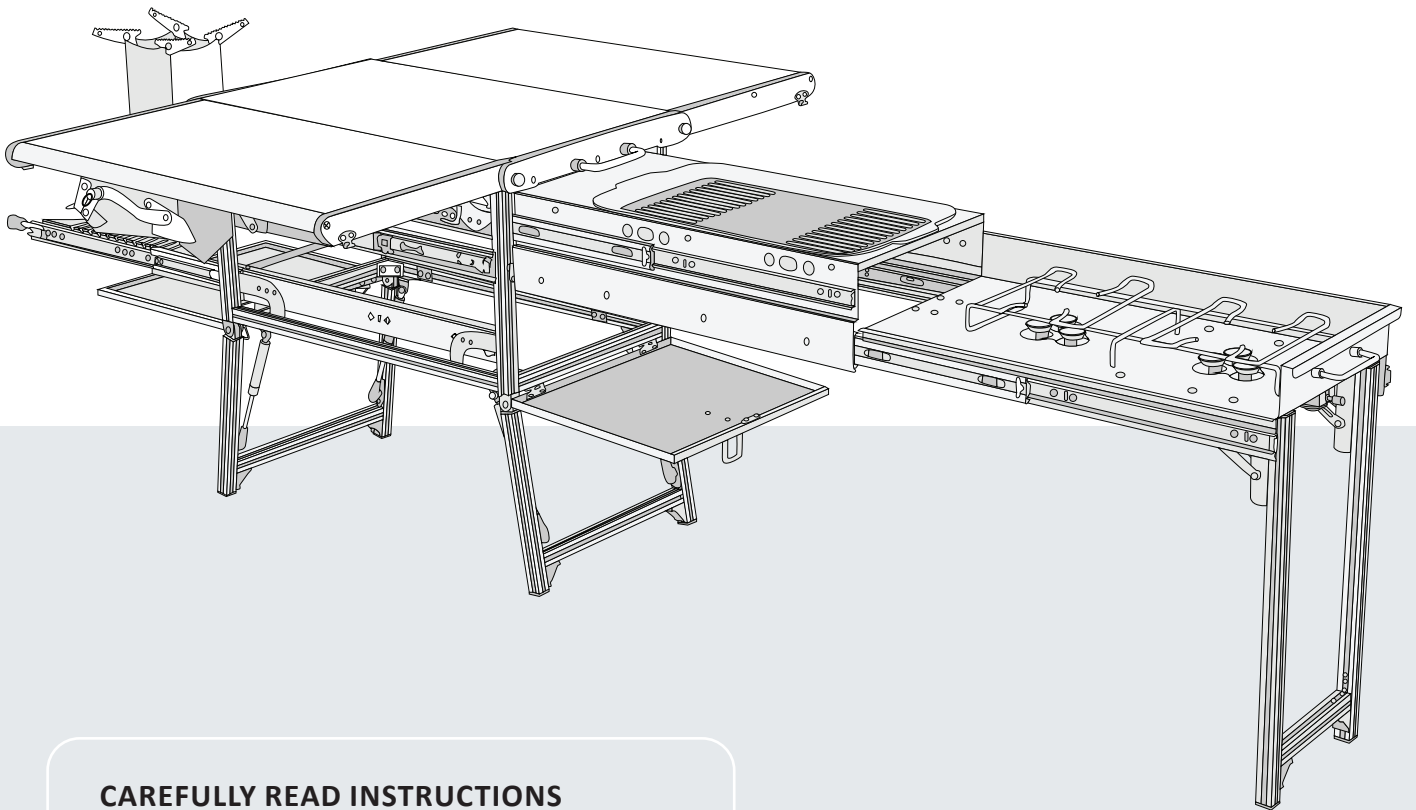




Komodo Camp Kitchen Dual Grill, Skillet, Folding Shelves and Rocket Tower



**CAREFULLY READ INSTRUCTIONS
PRIOR TO THE FIRST USE OF THE
KOMODO CAMP KITCHEN**

PREPARATION BEFORE USE

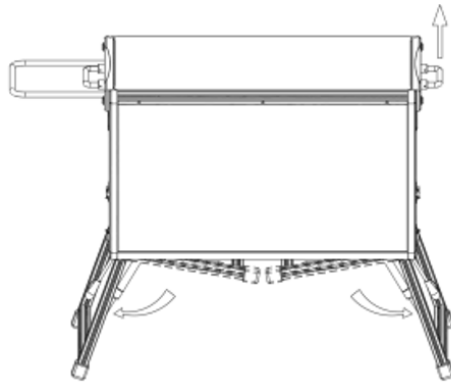
Confirm that the area of the site is sufficient to place this product, and ensure that there is sufficient operating space after the product is unfolded. Make sure the ground is flat so that the product remains level after unfolding and the supporting feet are in contact with the ground without shaking. Make sure there are no flammable or explosive substances around the site.

The product can be expanded according to the above process and method.
The opposite process results in a foldable product.

1

Unfold the support feet.

One hand holds the handle to lift the product, and the other hand pushes the same side support foot along the arrow to the position shown. Open the other support foot in the same way. Instead, put it away.

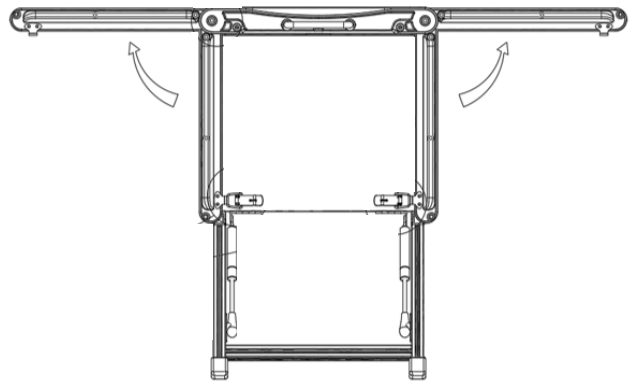


2

Unfold/fold the table

Open the side door latch, turn the table to a horizontal position according to the direction of the arrow, and lock it.

Hold the two sides of the table slightly up, and at the same time press down the buckles on both sides of the table without letting go, and you can fold it when you put it down.

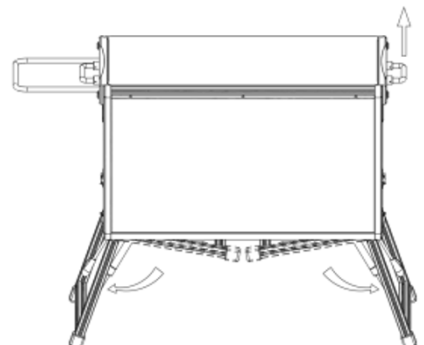


3

Lower/close the side door

Open the left and right doors simultaneously.

Close the left and right doors simultaneously.



Komodo Camp Kitchen

SET-UP & CARE INSTRUCTIONS

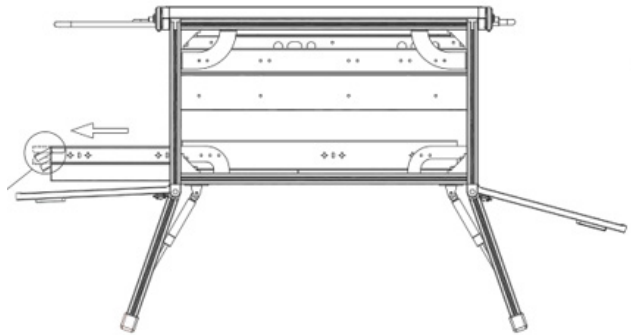
30100001 Komodo Camp Kitchen

4

Pull Out / Put Away the Kitchen

As shown in the image, hold both handles with both hands, press down to unlock them, and pull the kitchen cabinet open in the direction of the arrow.

Instead, take it back



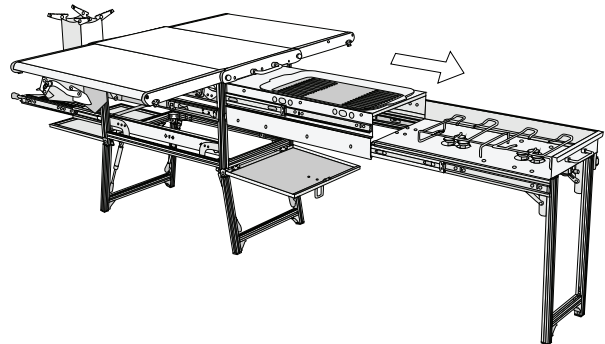
5

As shown in the image, hold the handle on the side of the stove and pull the stove and sink outward along the direction of the arrow.

Otherwise, it is withdrawn

Receiving / placing the support leg of the stove

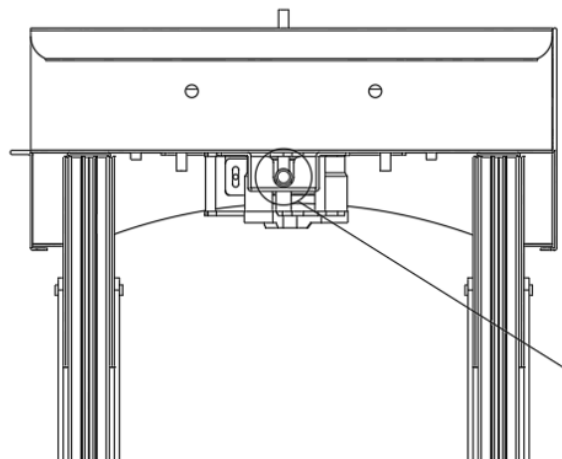
As shown in the picture, grasp the tail of the stove support leg, gently exert force, pull out from the snap, and continue to pull outward in the direction of the arrow until it is vertically locked. Hold both sides of the cooktop, lift the support legs off the ground, and press down the bottom support leg unlock handle of the cooktop to unlock it. Then pull it up and snap into the clip to complete the following



6

Connect the gas tank

As shown in the image, the gas connection is located on the side of the cooker, below the gas switch. Screw in and tighten the connector of the gas tank.



Komodo Camp Kitchen

SET-UP & CARE INSTRUCTIONS

CLEANING

Clean with cold water and a soft bristle brush. Do not use soaps and detergents. Do not expose to petrol, diesel, oils or chemicals of any nature.

STORING

Store in a cool and dry area

TROUBLESHOOTING

Fault	Cause of Issue	Solution
The table cannot be supported and fixed	Table buckle is not flexible	Press or apply oil repeatedly
The table cannot be put down	The table buckle is not pressed in place	Press harder
	The buckles on both sides are not pressed in same place at the same time	press both sides simultaneously
The stove cannot be put down	The pulling direction is reversed	Pull out from the other side
The stove cannot be recovered	The sink is not put away	Put away the sink and try again
The stove support legs cannot be retracted	The unlock handle is not pressed	Press the handle
	The unlocking handles on both sides are not pressed at the same time	Press simultaneously
	The support leg is not raised when the unlocking handle is pressed	While pressing the handle, lift the support leg slightly off the ground
Kitchen cabinets cannot be pulled out or retracted	Not unlocked	When pulling out, press both handles on the kitchen cabinet at the same time



WARNINGS

- WHEN USING THIS PRODUCT FOR COOKING, THE KITCHEN WASTE, FOOD PACKAGING AND OTHER GARBAGE GENERATED MUST BE PROPERLY DISPOSED OF IN ACCORDANCE WITH LOCAL LAWS AND REGULATIONS TO AVOID POLLUTING THE ENVIRONMENT.

- WHEN DISCARDING THIS PRODUCT, PLEASE HAND IT OVER TO A QUALIFIED RECYCLING AGENCY IN ACCORDANCE WITH LOCAL LAWS AND REGULATIONS.

- PLEASE USE QUALIFIED GAS TANKS AND BEWARE OF FIRE AND EXPLOSION ACCIDENTS CAUSED BY INFERIOR PRODUCTS

- BEFORE USING GAS, PLEASE CHECK THAT THE GAS PIPE AND CONNECTOR SEALS ARE INTACT, AND THE CONNECTIONS ARE TIGHT AND THERE ARE NO LEAKS

- WHEN USING, PLEASE TAKE CARE OF CHILDREN AND SMALL ANIMALS TO PREVENT THEM FROM TOUCHING HIGH-TEMPERATURE PARTS OR SHARP PARTS TO AVOID INJURY ACCIDENTS.

- PLEASE CHOOSE COOKWARE THAT MATCHES THE SIZE OF THE POT RACK. IF THE SIZE IS TOO SMALL OR TOO LARGE, IT MAY BE UNSTABLE, CAUSING OVERTURNING AND INJURY.



DO YOU NEED OUR HELP?



CUSTOMER SUPPORT 833-226-4863



SALES@OVERLANDVEHICLESYSTEMS.COM

WANT TO SHOW US YOUR RIG?
CHECK OUT OUR SOCIAL!

@overlandvehiclesystems

