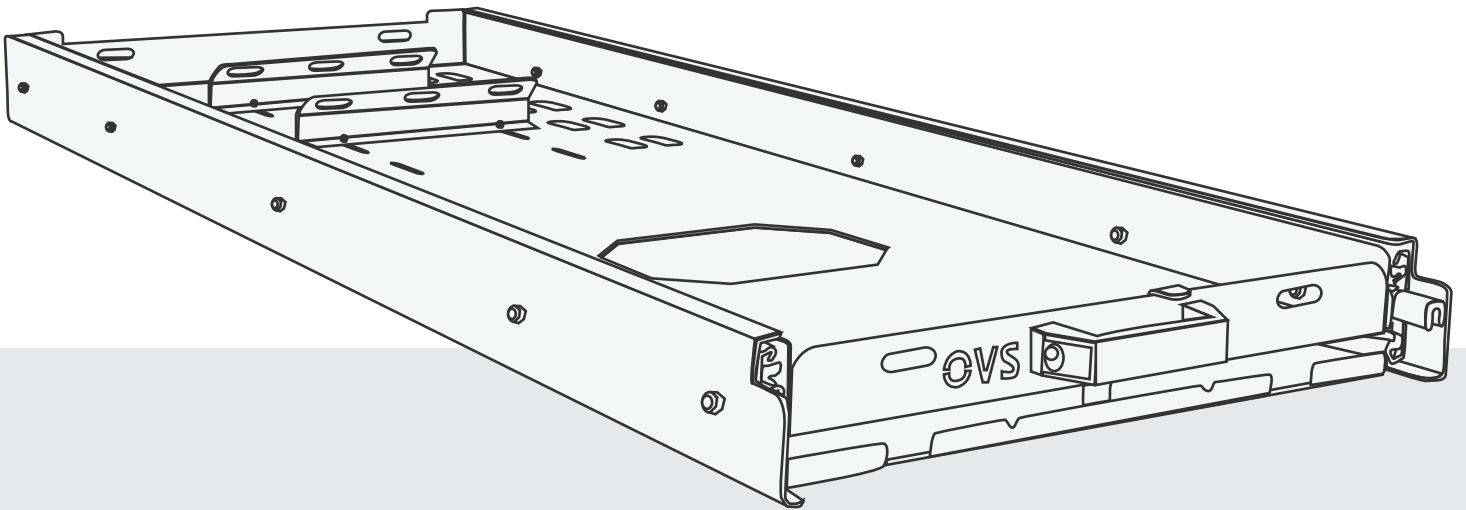




Heavy-Duty Fridge Slide



**CAREFULLY READ INSTRUCTIONS PRIOR
TO THE FIRST USE OF THE FRIDGE SLIDE**

GET TO KNOW YOUR FRIDGE SLIDE

We recommend you check all parts are included prior to first use.

What's Included:

1x Fridge Slide
6x M6 Washers
6x M6 Tee Nuts

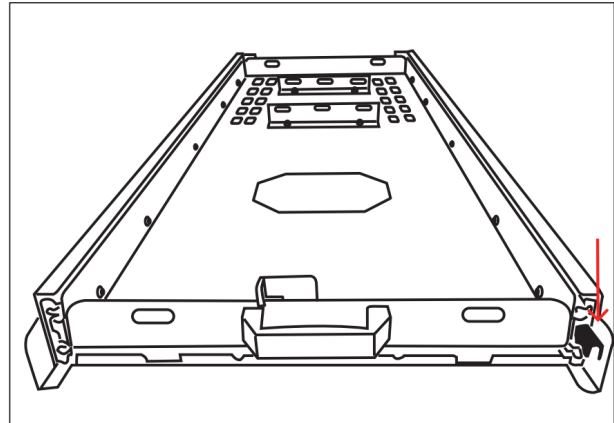
6x M6 x 20mm Bolts
6x M6 Nyloc Nuts
4x Nylon Straps

PREPARATION FOR INSTALLATION

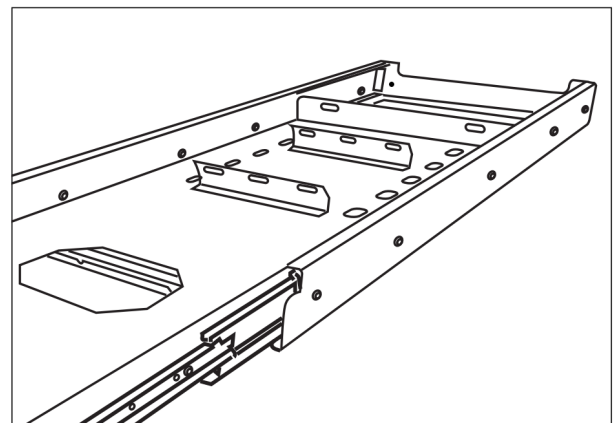
1

Open the slide by depressing the lock lever on both sides, then pull slide forward to reveal the fixing holes in the side rails.

Note: Slide needs to be installed on a flat even surface with a minimum of 12mm thickness. You will require the use of an electric drill to install the slide.

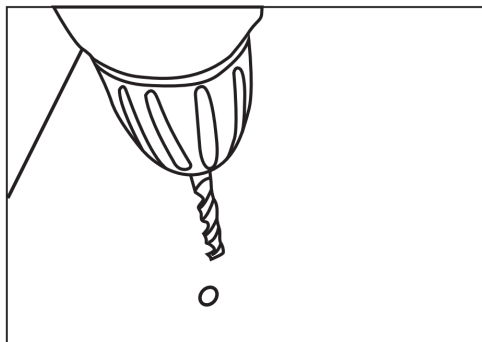


Mark the six drilling points through the slide fixing holes with a permanent marker

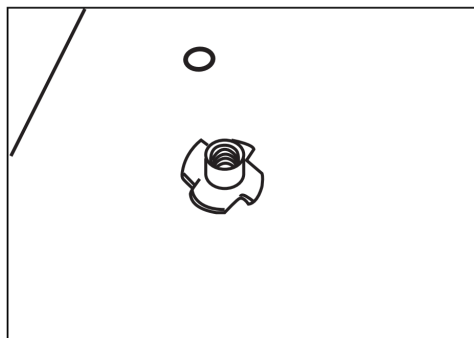


2

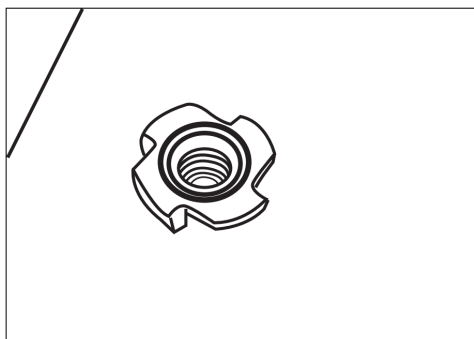
Drill six 7mm holes for the Tee Nuts



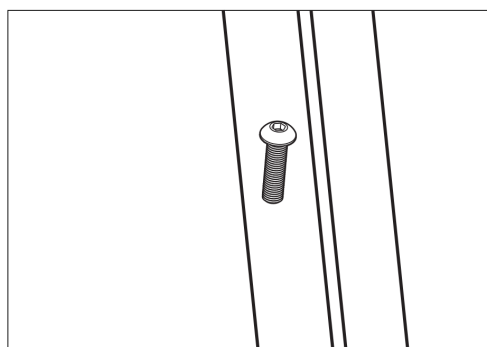
Insert the Tee Nuts into the holes ensuring the nuts are upright and square to the hole



Flatten the Tee Nuts with a mallet or hammer

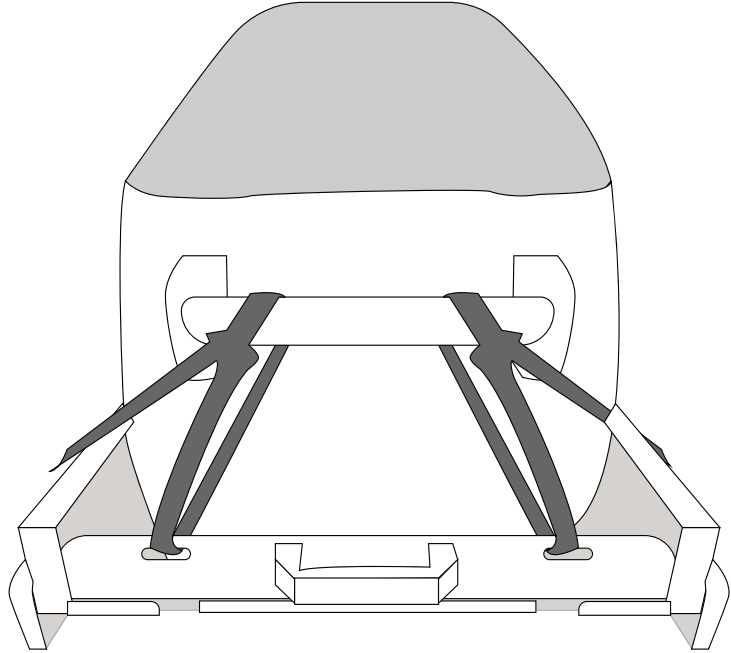


Position the fridge slide on the flat surface.
Use the 6x M6 bolts to fix to the surface



Tie Down the Fridge

Secure your fridge on the slide by using the 4 nylon straps supplied. Make sure the straps are tight and secure.



Fridge Slide

SET-UP & CARE INSTRUCTIONS

CLEANING

CLEAN WITH COLD WATER AND SOAP

21010504 HD Fridge Slide



WARNINGS

- THE SLIDE MUST BE SECURELY AND EVENLY BOLTED DOWN TO THE FLOOR OF THE VEHICLE OR TO WHEREVER THE SLIDE IS TO BE USED.
- UNDER NO CIRCUMSTANCES CAN THE SLIDE BE USED OTHER THAN WHEN IT IS FIXED DOWN CORRECTLY ON A SMOOTH EVEN SURFACE WITH NO CONTORTION OF THE FRAME.
- THE SLIDING TRAY IS ACTIVATED BY DEPRESSING THE BOTH SIDES LEVER ON THE FRONT TO PULL FORWARD AND LOCK IN.
- HEAVY PUSHING WITHOUT DEPRESSING THE LEVER WILL RESULT IN DAMAGE TO THE LEVER.
- ENSURE THAT THE TRAY IS FIRMLY LOCKED INTO PLACE WHEN RETURNING THE TRAY TO ITS INWARD POSITION.
- THIS SLIDE IS DESIGNED TO CARRY FRIDGES UP TO 80KGS INCLUDING CONTENTS AND THE SLIDING TABLE 15KG. IT IS NOT RECOMMENDED FOR COMMERCIAL USE AND NO WARRANTY APPLIES IF USED SO.



DO YOU NEED OUR HELP?



CUSTOMER SUPPORT 833-226-4863



SALES@OVERLANDVEHICLESYSTEMS.COM

WANT TO SHOW US YOUR RIG?
CHECK OUT OUR SOCIAL!

@overlandvehiclesystems

