

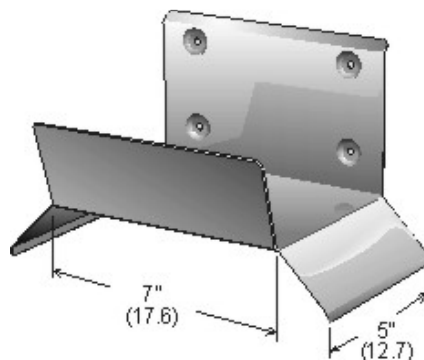


- Quality
- Value
- Service

**Tech
Reference**

Vacuum hose rack

Code 1110: Stainless steel.



Specifications:

One piece 20 gauge type 304 stainless steel hose rack.
Designed to hold all standard vacuum hoses.

Description and specifications applicable on date issued. Frost reserves the right to make improvements or changes without notice.

