



Specification Information

Product Code: 107

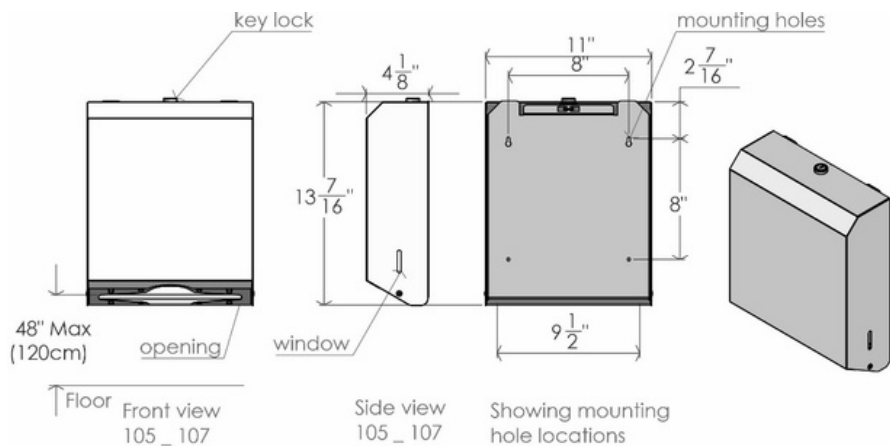
Product Name: Multifold and "C" Fold Universal Paper Towel Dispenser

Individual Carton UPC: 624622107109

Individual Carton Shipping Dimensions: 35.6cm H x 30.5cm W x 12.7cm D (14" H x 12" W x 5" D)

Individual Carton Shipping Weight: 2.2 kg (4.9 lbs)

Site Location: Frost's 107 multifold or "C" fold universal paper towel dispenser is compact in size and durable enough to withstand commercial usage. Typically, this product is used in Schools/Universities, Hospitals, Restaurants, Service Stations, and Industrial Settings. The product's ease of use, durability, and slim profile make this a reliable and popular choice.



Features:

- Paper towel opening has a rolled safety edge
- Comes standard with keyed tumbler lock to reduce pilferage
- Front loading for easy service and maintenance
- Canadian made with high quality durable steel

Dispensing: Frost code 107 will dispense multifold or "C" fold paper towels. It is designed to be universal; meaning, the unit is non-proprietary and dispenses paper from standard commercial paper producers. This allows the end user to avoid getting locked into paper supply contracts and should save them money on their janitorial supplies. The unit is manually operated and can be refilled by unlocking the dispenser from the top. The lid will then swing down and new paper can be inserted.

Capacity: Frost 107 universal paper towel dispenser can hold approximately 250 towels. There is additional room for more towels to be added if desired.

Materials:

- Front: one piece 22 gauge type 430 stainless steel, brushed satin finish
- Back: 22 gauge steel finished in white epoxy powder coated paint
- Bottom: Steel rolled safety edge, black powder coated finish

Product Dimensions:

- 34.0cm H x 27.9cm W x 10.5cm D (13.4" H x 11" W x 4.1" D)



Specification Information

Product Weight:

- 2 kg (4.4 lbs)

Installation Guidelines: For unrestricted access, bottom of unit to floor must be between 38.1cm and 121.9cm (15" to 48"). Unit comes with four standard combination style screws. Mark mounting holes against the mounting surface using a pencil and level. Use a screw driver or power drill to drill screws in the desired mounting surface and attach the dispenser. Please note that it is recommended that all installations be conducted by a qualified tradesperson. Please read and follow any additional installation guidelines provided with the products.

Maintenance: Normal preventative maintenance and cleaning will keep Frost products functioning properly and may extend normal product life. Products should be wiped down with a damp soft cloth periodically. Approved stainless steel cleaner may be used to clean scuffs or fingerprints on stainless surfaces. Do not use harsh detergents or chemical cleaners. For stainless steel please do not spray with any product containing bleach, acids, or chlorides, which can be found in many cleaning products such as toilet bowl cleaners. Use of these cleaning solutions may cause discoloration and if used for prolonged periods of time they can eat away at points in the stainless steel. If discoloration occurs, the use of an approved stainless steel cleaner and a firmer scrub pad, such as a Scotch Brite Pad #7447, may remove the markings. Wipe away any debris from the area and gently rub with the pad. Then spray the area with a stainless steel cleaner/polish and rinse and dry. Always wipe with the grain direction for stainless steel products. If a cleaning agent has begun to eat away at the steel on a unit then the unit will likely need to be replaced. The stainless steel that Frost Products uses is of high quality and stainless steel is resistant to rust. However, discoloration that appears to be rust can be caused by cleaning solutions and soaps mentioned above. It is important to discontinue use of any cleaning agent or soap if discoloration begins to occur. Clean off the discoloration as quickly as possible to avoid any permanent damage to the unit. Maintenance staff should be taught how to recognize the signs that they are not using the appropriate cleaning products and how to correctly maintain stainless steel items.

Warranty: If any product or part proves to be defective within 12 months from date of shipment from the factory it will be repaired or replaced without any charge including freight costs when authorized. Costs resulting from the installation or removal of defective products are not covered under this warranty. Discoloration to stainless steel parts resulting from exposure to harsh environmental and / or chemicals are not considered to be defects in workmanship or material and are not covered under warranty.