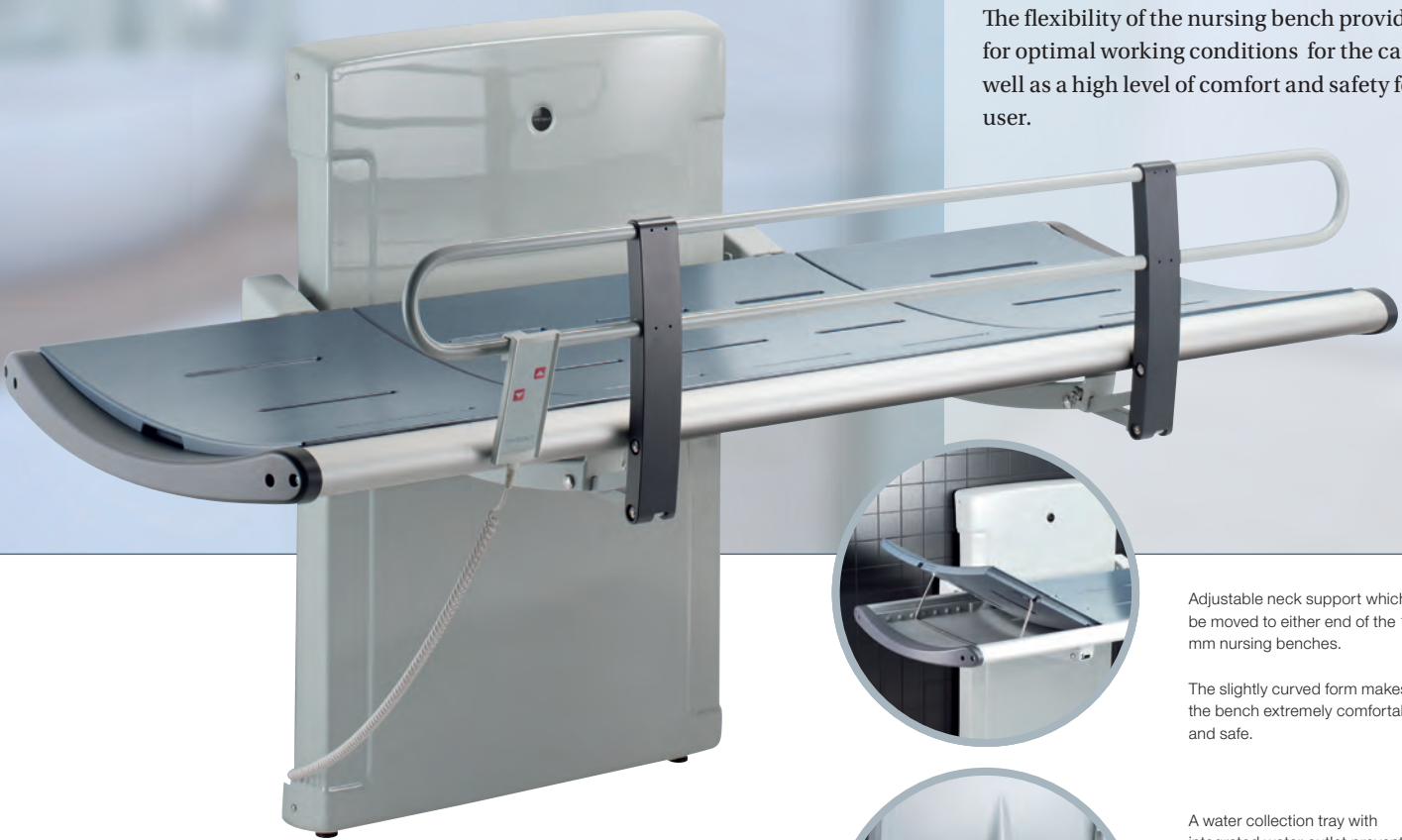


Nursing Bench 3000

The nursing bench 3000 series provides for maximum safety and comfort. Besides an award winning design, the series includes comfortable and durable surfaces, including polyurethane foam and aluminum.

The flexibility of the nursing bench provides for optimal working conditions for the carer as well as a high level of comfort and safety for the user.



Adjustable neck support which can be moved to either end of the 1800 mm nursing benches.

The slightly curved form makes the bench extremely comfortable and safe.



A water collection tray with integrated water outlet prevents water from splashing on carers or the floor.

The flexible hose attached to the centre mounted outlet of the water collection tray, can be connected to either an outlet in the floor or on the wall.



The safety rail can be folded easily up or down.

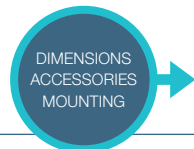
The integrated gas cylinders enable the bench to be folded out of the way when not in use to maximise floor space.



Winner
The Danish Design Prize 2007

Materials: Aluminium, polyurethane foam with marine ply core, powder lacquered steel
Maximum weight: 200 kg
Colour: 021 Lead grey





Nursing bench - adjustable height

- ◀ **R8518** 1800 mm, 700 mm height adjustable, electric motor
- R8513** 1300 mm, 700 mm height adjustable, electric motor
- R8538** 1800 mm, 700 mm height adjustable, electric motor and safety rail
- R8533** 1300 mm, 700 mm height adjustable, electric motor and safety rail

When mounted at the recommended height, the height of the nursing bench can be adjusted from 300 to 1000 mm above floor.

If safety rail is to be pre-mounted, please be sure to indicate the correct item number when ordering.

Incl. wired hand control and flexible hose, 1500 mm.



Nursing bench - fixed height

- R8508** 1800 mm
- ◀ **R8503** 1300 mm
- R8528** 1800 mm, safety rail
- R8523** 1300 mm, safety rail

When mounted at the recommended height, the lying surface height is 865 mm above floor.

If safety rail is to be pre-mounted, please be sure to indicate the correct item number when ordering.

Incl. flexible hose, 1500 mm.



Safety rail

- ◀ **R8511** Length 1636 mm, for retro-fitting on nursing benches R8508 and R8518
- R8510** Length 1200 mm, for retro-fitting on nursing benches R8503 and R8513

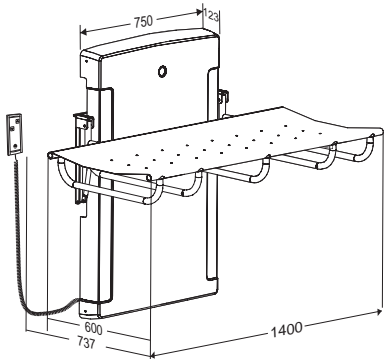
Provides safety for the user.
Can easily be folded up or down.



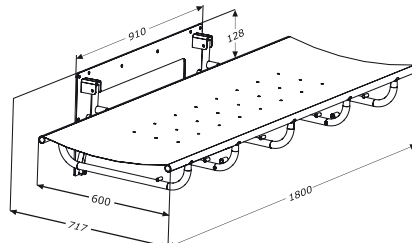
Dimensioned drawings

Nursing Bench 1000

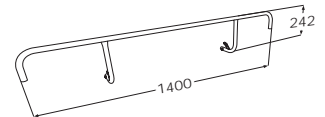
R8400



R8405

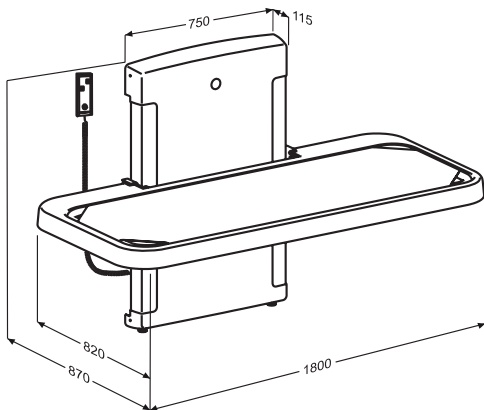


R8410

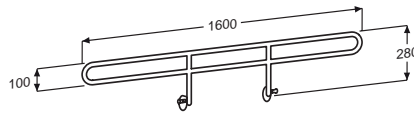


Nursing Bench 2000

R8468

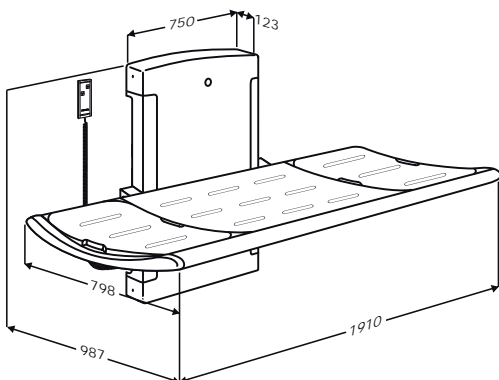


RB2290

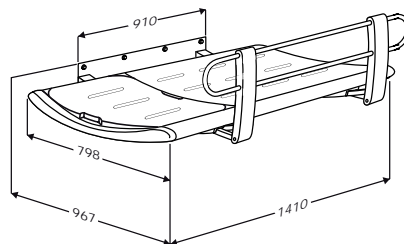


Nursing Bench 3000

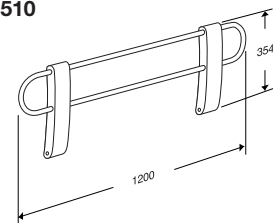
R8518



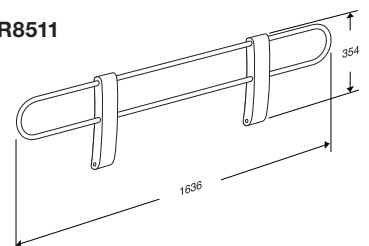
R8523



R8510

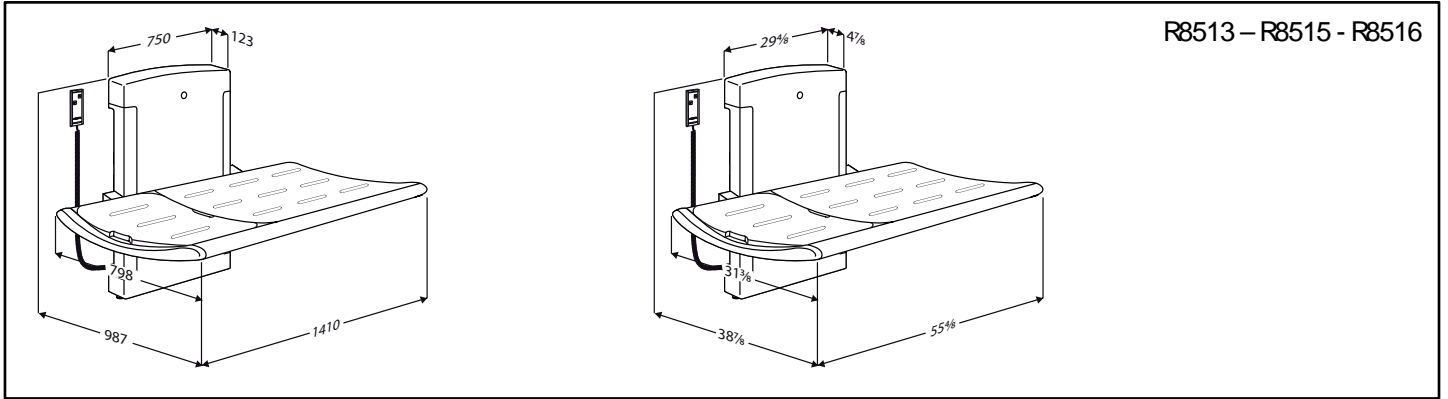


R8511

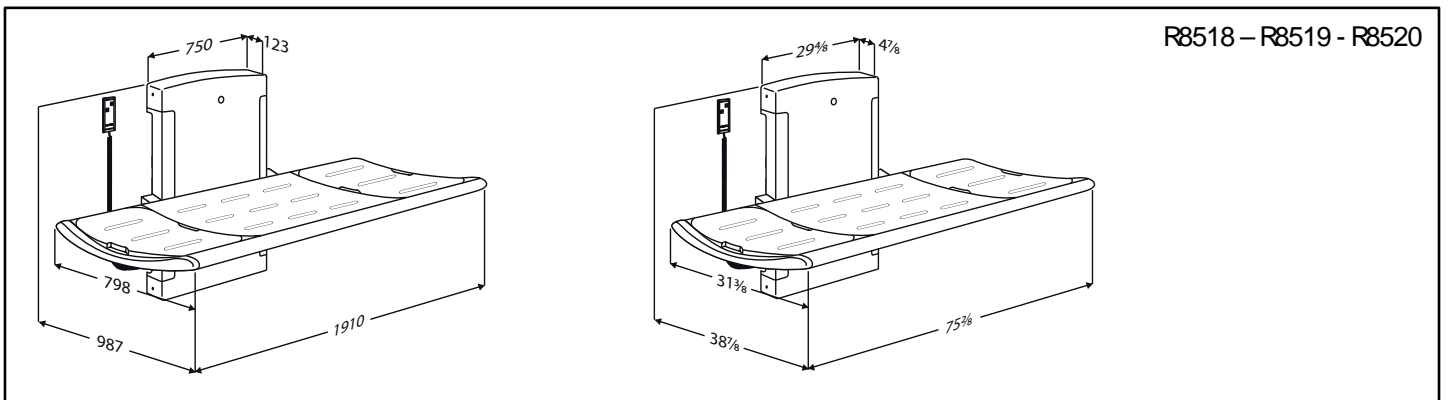


Further information and mounting instructions can be found at www.pressalicare.com

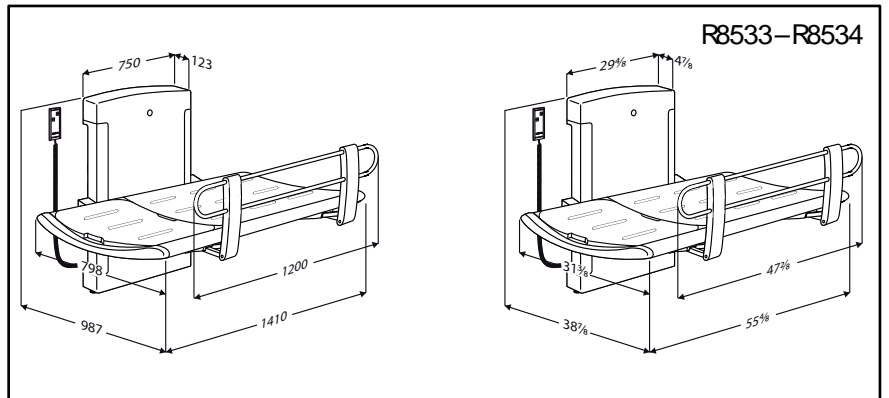
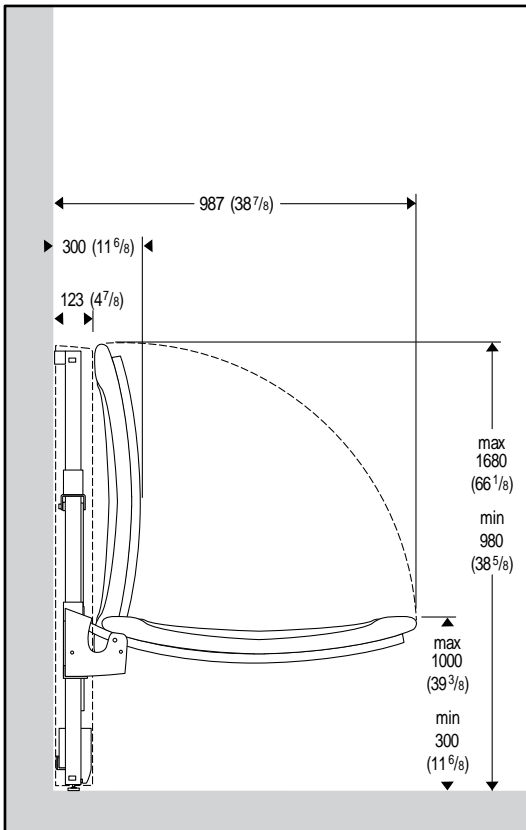
R8513 - R8515 - R8516
 R8518 - R8519 - R8520
 R8533 - - R8534
 R8538 - - R8539



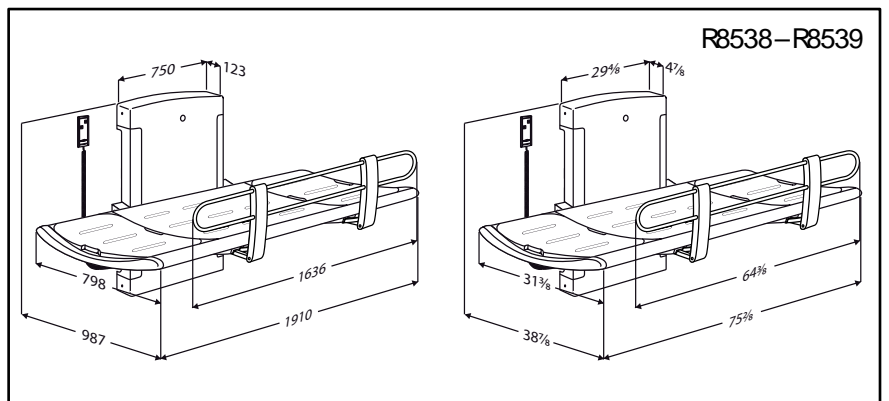
R8513 – R8515 - R8516



R8518 – R8519 - R8520



R8533 – R8534



R8538 – R8539

