

FEATURES

- High speed hand dryer
- Hygienic, touch-free operation
- Splash resistant
- Water tray to prevent slip and fall
- Space saving, compact design
- Low Operating noise 57dB(A)
- Energy Efficient 390W
- AC powered

COLORS/FINISHES

- #WH White

CODES/STANDARDS

- Meets or exceeds ANSI/UL 507, 9th edition, Rev. June 18th 2012 and CSA C22.2 No. 113-12 Oct 2012.
- Certifications: Intertek/ETL
- Code Compliance: NEC, CEC



PRODUCT SPECIFICATION

TOTO Model No. HDR101#WH shall be a high speed hand dryer. The product shall provide hygienic, touch-free operation. The product shall have water tray to prevent wet floor. The product shall have operating noise of 57dB(A) or less. The product shall be AC powered and consume 390 W or less.



HDR101#WH

Clean Dry® High Speed Hand Dryer

SPECIFICATIONS

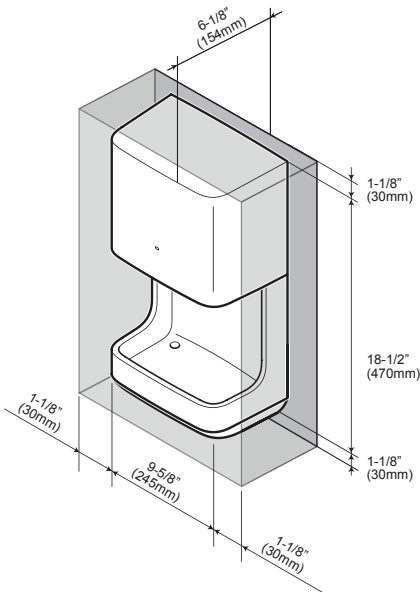
- Warranty One Year Warranty
- Power Connection Hardwired
- Power Rating 120V AC, 3.3Amps, 60 Hz, 390 W
- Power Saving Function Automatically turns OFF when hands are removed or after 60 seconds of use
- Air Speed 220 mph
- Water Tray Capacity 0.15 gal (600 ml)
- Unit Size 9-5/8" x 6-1/8" x 18-1/2"
(245mm x 154mm x 470mm)
- Unit Weight 7.9 lb (3.6 kg)
- Operating Temperature 32F°-113F° (0C°-45C°)
- Shipping Size 20-3/8" x 11-3/8" x 7-1/2"
(518mm x 289mm x 190mm)
- Shipping Weight 10.6lb (4.8kg)

These dimensions and specifications are subject to change without notice.

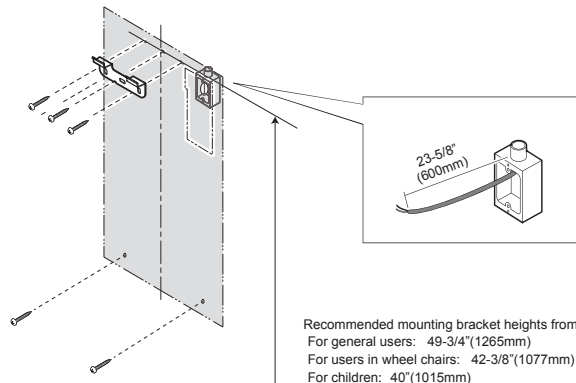
INSTALLATION NOTES

Check local code requirements for additional mounting height details.

ROUGH-IN



For installation/uninstallation and proper functioning of front cover and water tray, keep some empty space around the product. There should be no obstructions within 30 mm from either side, 30 mm from the bottom, or 30 mm from the top of the product.



Recommended mounting bracket heights from floor are as follow
 For general users: 49-3/4"(1265mm)
 For users in wheel chairs: 42-3/8"(1077mm)
 For children: 40"(1015mm)



Meets the American Disabilities Act Guidelines, ANSI A117.1 and CSA B651 requirements when mounted in a recessed wall where the front surface is not more than 4" (102mm) from finished wall and mounting height for U.S. is 48" (1219mm) max to blower outlet from floor, and for Canada is 47-1/4" (1200mm) max to blower outlet from floor. Check local code requirements for additional mounting height details.

TOTO®

These dimensions and specifications are subject to change without notice

