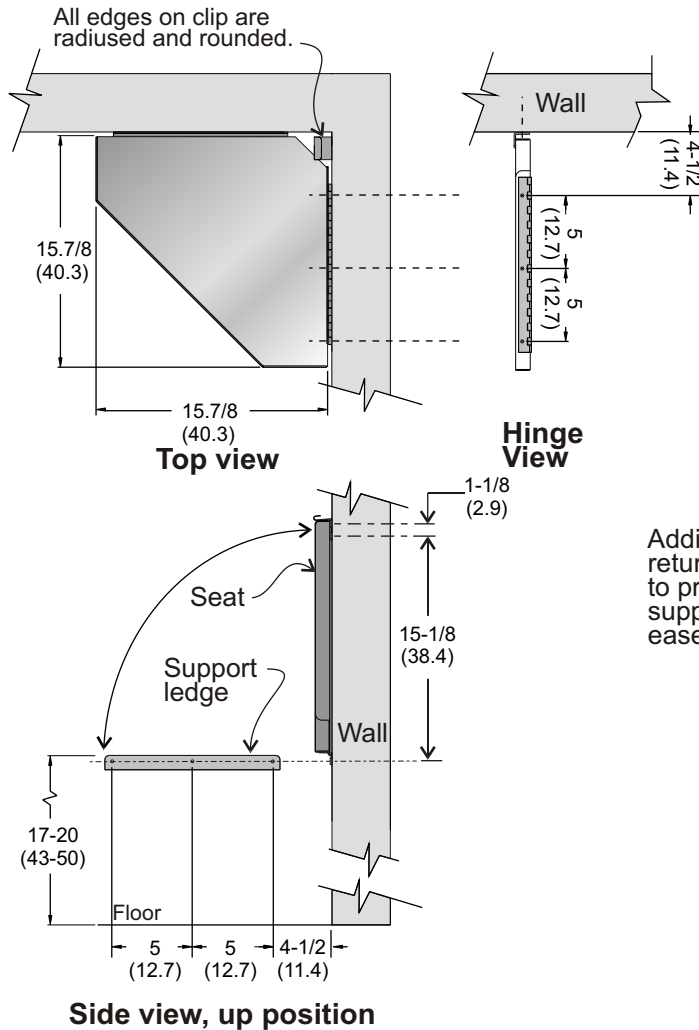




Stainless Steel Corner Shower Seat

Code 976: Corner Shower seat, stainless steel, type 304

Overall dimensions in inches, (centimeters in brackets).



3/4 view



3/4 view, up position

Additional return flange to provide extra support and ease of use.

Specifications

- Site location:** • Corner shower seat provides maximum space utilization. Comes in configuration shown (Left handed). Can be changed to be right handed as required on site.
 - Features:** • All corners are radiused and ground smooth for safety and ease of cleaning. Extra return flange at front edge provides extra rigidity and comfort when lifting or lowering the seat.
 - Materials:** • All Stainless steel, one piece construction. **Seat:** 16 ga. SS type 304 with #4 brushed finish. **Support ledge and clip:** 16 ga. SS type 304 with #4 brushed finish. **Hinge:** 16 ga. SS type 304 bright annealed.
 - Installation:** Mount seat 17"- 20" from floor with stainless steel mounting screws provided (#10 x 2"). Mount clip as close to the corner as possible. Shower seats can only support the loads intended with the proper use of anchors and in wall backing. Insure wall structure meets local building codes and the architects specification. Shower seat will sustain a load of 300 lbs.
- Safety Warning:** All shower seats must be installed by qualified trades persons. Installers must consult and comply with local building codes. Mounting hardware and other systems to be determined by contractor and installer pending specific structure, design, and conditions. All installations must be fully inspected and approved by property owners and maintenance personnel prior to seat being put into use. Failure to comply to proper installation procedure will void warranty and may result in malfunctioning or injury.

