



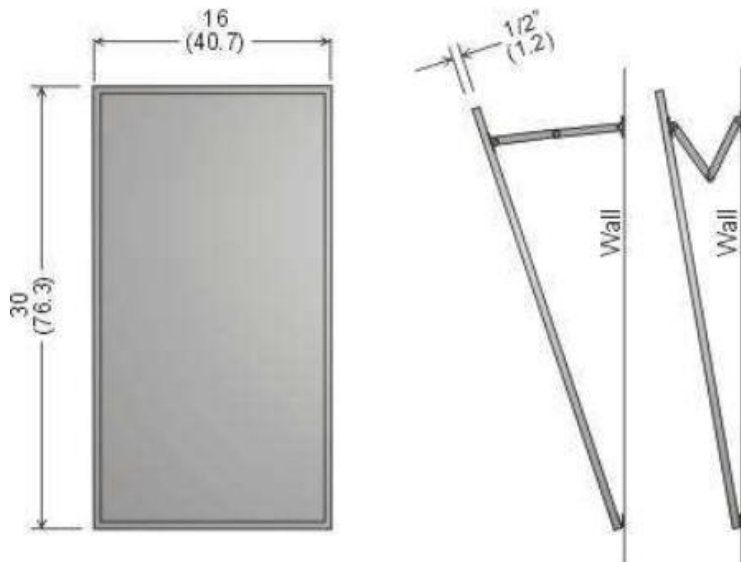
- Quality
- Value
- Service

**Tech
Reference**

Hygienic Solutions at Work

Stock Series Mirrors, Adjustable Tilt

- Code 941-1624AT: 16"w x 24"h, adjustable tilt
Code 941-1630AT: 16"w x 30"h, adjustable tilt
[Code 941-1824AT](#): 18"w x 24"h, adjustable tilt
Code 941-1830AT: 18"w x 30"h, adjustable tilt
Code 941-1836AT: 18"w x 36"h, adjustable tilt
Code 941-2424AT: 24"w x 24"h, adjustable tilt
Code 941-2430AT: 24"w x 30"h, adjustable tilt
Code 941-2436AT: 24"w x 36"h, adjustable tilt



Code 941-1630AT



Specifications:

Site Location: The 941 adjustable tilt mirror is an economical solution for any location requiring for a tilted mirror.

Features: One piece 24 ga. stainless steel channel frame provides rigid assembly. Comes in bright annealed finish. Tilting angle can be adjusted on site. Plated brackets and piano hinge mounting. Mirror glass has shock resistant primary back. Full galvanized back panel.

Shipping Weight: Code 941-1824AT, 10 kg. (23 lbs.), shipped two per carton.

Installation: Position bottom of mirror 48" (121) from floor. Positions may vary depending on size and the type of installation. Also see [installation instructions](#).

Description and specifications applicable on date issued. Frost reserves the right to make improvements or changes without notice.





- Quality
- Value
- Service

**Tech
Reference**

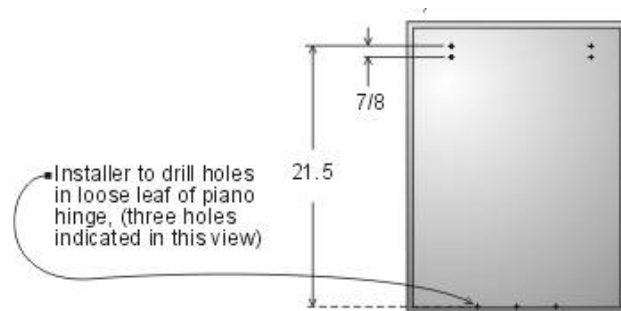
Adjustable Tilt Installation Guide

Code 941-1824AT: Adjustable tilt (handicap), 18" x 24"

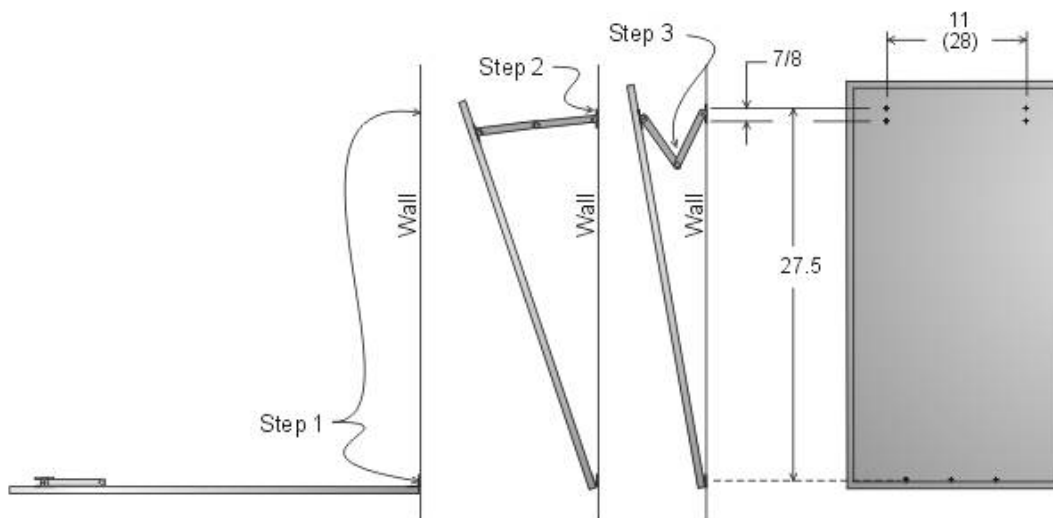
Code 941-1630AT: Adjustable tilt (handicap), 16" x 30"

Suggested installation procedure

- 1) Drill 3- 5 holes (depending on type of wall construction) along the centre of the loose leaf of piano hinge. Mark holes on wall. Refer to front views for hole locations of adjustable tilt bracket holes. When all holes have been drilled fasten bottom of mirror (piano hinge) to wall.
- 2) fasten adjustable tilt hardware bracket to wall.
- 3) Set mirror to desired tilt angle.



Code 941-1824AT



Code 941-1630AT

Specifications:

Installation: Position bottom of mirror 48" (121) from floor.
Positions may vary depending on size and the type of installation.

Description and specifications applicable on date issued. Frost reserves the right to make improvements or changes without notice.





April 1st, 2015

Warranty and Order Fulfillment Policy

General Warranty:

If any product or part proves to be defective within 12 months from date of shipment from the factory it will be repaired or replaced without any charge including freight costs when authorized. Costs resulting from the installation or removal of defective products are not covered under this warranty. Discolouration to stainless steel parts resulting from exposure to harsh environmental and / or chemicals are not considered to be defects in workmanship or material and are not covered under warranty.

Mirror Warranty:

Frost Products Ltd is a leading manufacturer of mirrors for commercial and institutional installations. Frost offers vandal resistant channel frame, frameless, and Barrier free tilt designs. We offer standard float glass, tempered glass, laminated glass, and stainless steel face options. All Frost mirrors are covered under our standard complete product warranty. Mirror glass is conforming to GS12GD5A type 1B, guaranteed against silver spoilage for 10 years. Note; on tempered mirrors the tempering process may produce slight distortion in mirror reflection when viewed from a distance. Mirror back plate consists of shock resistant primary back combined with galvanized second back plate and vandal resistant mounting system. All stainless steel face mirrors use 20 ga. XL buff stainless steel reflective surfaces.

Hand Dryer Warranty:

Frost's hand dryers come with a complete 5 year warranty from date of purchase. Motor assembly and all working parts must be kept clean from excessive dirt/dust and any form of foreign debris. Failure to maintain a unit may reduce performance and result in void of warranty.

Frost Order Fulfillment Policy:

Frost requires 48 hours to process orders. We do our best to ensure all orders are shipped within 48 hours of receiving the order. We will try to accommodate rush orders, however we cannot guarantee products will be shipped prior to 48 hours from order receipt.

