



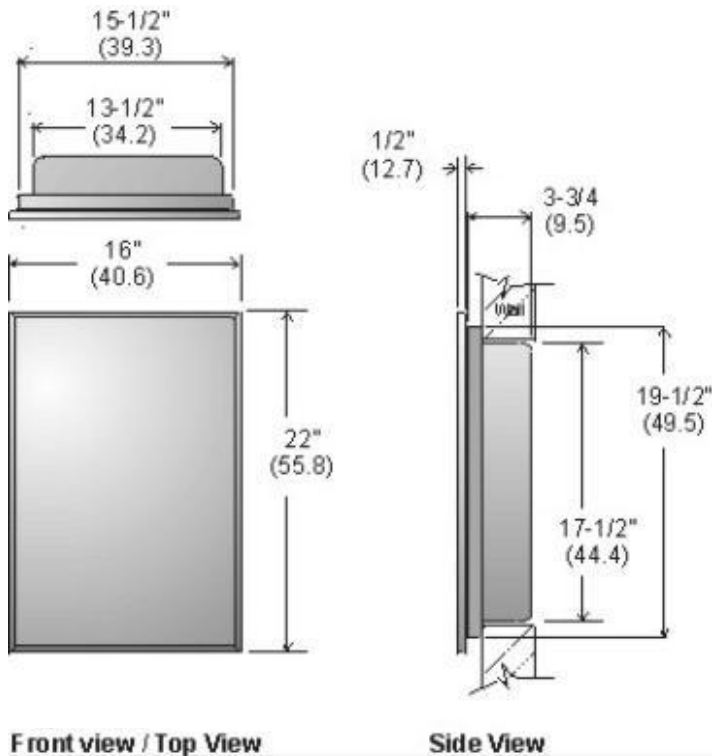
- Quality
- Value
- Service

**Tech
Reference**

Hygienic Solutions at Work

Surface Mounted Medicine Cabinet

CODE: 812W Surface mounted medicine cabinet, white finish with mirror, 16"x22"



Front view / Top View

Side View

Specifications:

Features:

- 2 adjustable shelves
- White powder coat finish
- 5 mm mirror
- 18" piano hinge on door
- Magnetic catch

Installation:

Provide rough wall opening 14" wide x 18" high x 3-1/2 deep.

Description and specifications applicable on date issued. Frost reserves the right to make improvements or changes without notice.



Handy Washroom Direct
www.handywashroom.com