



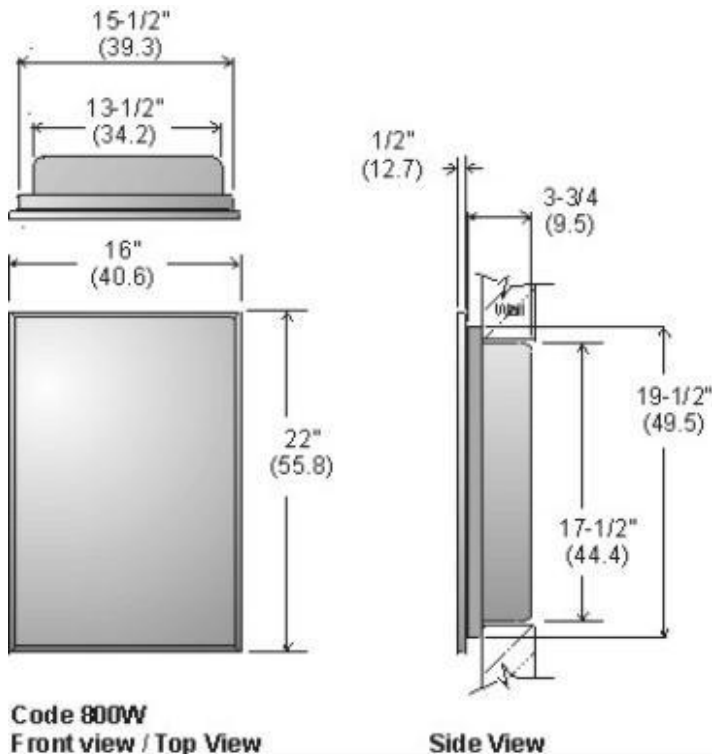
- Quality
- Value
- Service

**Tech  
Reference**

## Hygienic Solutions at Work

### Recessed Medicine Cabinet

**Code 802-W:** Recessed medicine cabinet, white finish with mirror, 16"x22"



#### Specifications:

##### Features:

- 2 adjustable shelves
- White powder coat finish
- 5 mm mirror
- 18" piano hinge on door
- Magnetic catch

##### Installation:

Provide rough wall opening 14" wide x 18" high x 3-1/2 deep.

Description and specifications applicable on date issued. Frost reserves the right to make improvements or changes without notice.



**Handy Washroom Direct**  
[www.handywashroom.com](http://www.handywashroom.com)