



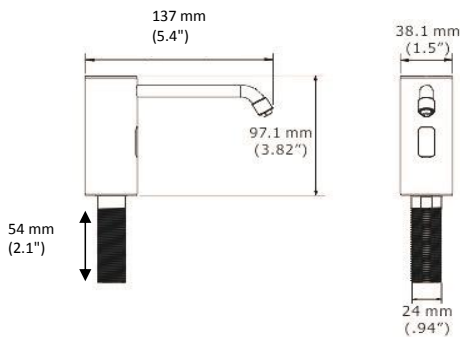
Tech Reference

Code: 716

Hygienic Solutions at Work

Automatic Counter Mounted Liquid Soap Dispenser

Code 716: Stainless Steel Soap Dispenser



Specifications

Site Location:

Frost code 716 liquid soap dispenser is ideal for all types of counter or vanity mounting.

Features:

This automatic counter mounted liquid soap dispenser is powered either by 4 AA batteries (not included) or AC power . The unit will dispense approximately 20,000 times on a single set of batteries. It offers stable, consistent, and quiet dispensing of 1cc of liquid soap. Liquid soap viscosity range should be 1-3000 cp. The 716 is a bulk filled soap dispenser, which allows users to purchase soap in bulk to save costs. This also helps the user avoid locking into soap cartridge contracts. The clean and professional design allows the 716 to function consistently in high volume areas. The unit also features LED indicators for low battery and soap levels. The threaded shaft length is 2 1/8", which should allow for installation into a counter up to 2" in thickness.

Materials:

Stainless steel type 304 with a satin finish.

Capacity:

The 716 has a bulk capacity of 1.5 litres (0.40 US gallons)

Descriptions and specifications applicable on date issued. Frost reserves the right to make improvements or changes without notice.

