

FROST PRODUCTS LTD.

713-COUNTER MOUNTED MANUAL FOAM SOAP DISPENSER



5280 John Lucas Drive
Burlington, ON, Canada, L7L 5Z9
Ph: (905) 332-5700 E: info@frostproductsltd.com

- Perfect for environments requiring modern and professional accessories
- 1 litre capacity bulk filled bottle can be removed to refill, or filled from above the counter
- Requires less than 5 lbs of force to activate and has a dispensing volume of approximately 1cc
- Main housing is stainless steel, type 304 brushed finish
- Non-proprietary unit permits flexibility in sourcing bulk foam soap, which will lead to cost reductions



Handy Washroom Direct
www.handywashroom.com



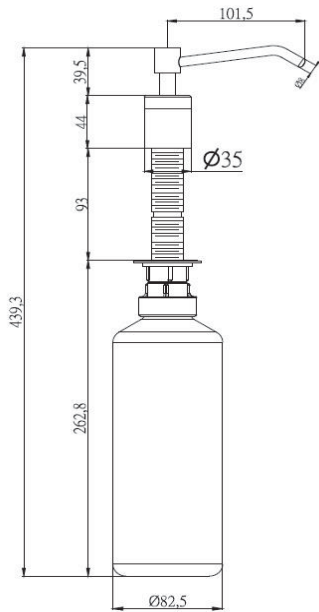
Tech Reference

Code: 713

Hygienic Solutions at Work

Counter Mounted Soap Dispensers

Code 713: Manually Activated Pump Foam Soap Dispenser



Specifications

Site Location: The vanity mounted foam soap dispenser is perfect for architectural environments requiring modern and professional accessories.

Features: The pump requires less than 5 lbs of force to activate. This brushed stainless steel counter mounted soap dispenser is designed for use with foam soap. Dispensing volume is approximately 1cc. The 713 foam soap dispenser is non-proprietary and has a bulk filled bottle which can be either removed to refill, or filled from above the counter. The unit has a concealed mounting assembly which provides a professional and clean look when installed onto counter tops.

Materials: Main housing is stainless steel, type 304 brushed finish.

Capacity: 1 litre, 35 US oz. capacity.

Soap Type: Dispenses foam soap. It is a non-proprietary unit that does not use a cartridge system. Users have flexibility in sourcing bulk foam soap, which will lead to cost reductions.

Maintenance: To maintain the performance and appearance you must perform periodic cleaning. Clean the inside of the bottle with warm water only, never use solvents or aggressive cleaners such as bleach. To clean the outside please use a soft cloth with warm water or approved stainless steel cleaner. If the pump is left idle for long periods of time the pump may become clogged. If so, pour warm water into the dispenser and gently pump it to clear the blockage. Never insert a sharp object (e.g. pin) into the nozzle, which could damage the unit and void any warranty.

Installation: Insert the threaded shank through 7/8" diameter hole in the vanity with only housing and valve assembly exposed above the counter. Secure with brackets provided below. Fill bottle with soap and attach to the bottom.

Descriptions and specifications applicable on date issued. Frost reserves the right to make improvements or changes without notice.



Handy Washroom Direct
www.handywashroom.com