



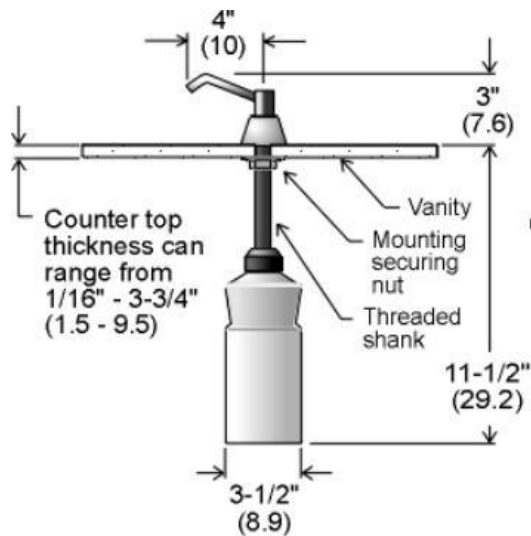
- Quality
- Value
- Service

**Tech
Reference**

Hygienic Solutions at Work

Vanity Mounted Soap Dispenser

Code 712: All purpose soap valve



Part section, mounted view



Specifications:

Site Location: Ideal for all types of vanity and countertop mounting.

Features: Less than 5 lbs. of force required to activate pump. Chrome plated brass housing. Concealed mounting assembly. Soap can be top loaded. 4" spout.

Soap Type: Dispenses liquid soap at 10-20% solution as well as more viscous synthetic detergents, lotions and antiseptic soaps.

Capacity: 1 litre (32 oz.).

Installation:

Insert threaded shank through 7/8" dia. hole in vanity with only housing and valve assembly exposed above counter. Secure with brackets provide below. Attach globe.

Description and specifications applicable on date issued. Frost reserves the right to make improvements or changes without notice.

