



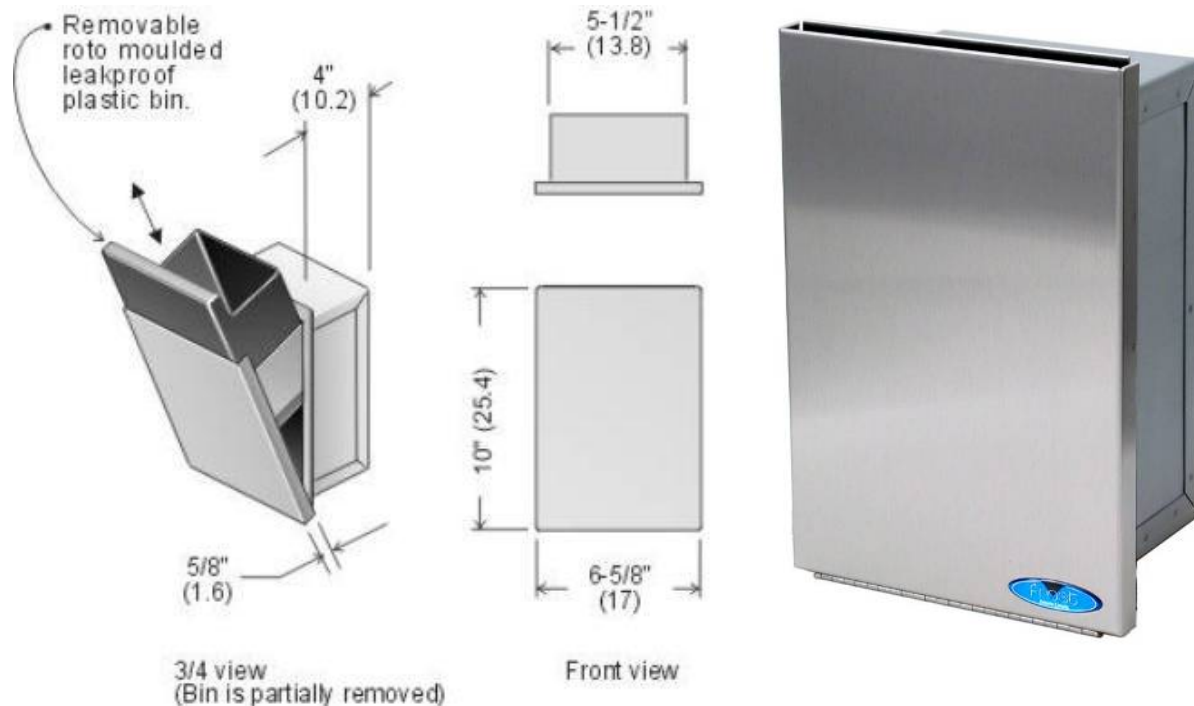
- Quality
- Value
- Service

**Tech
Reference**

Hygienic Solutions at Work

Sanitary Napkin Disposals, Recessed

Code 633-2: Stainless steel type 304, coverall door



Specifications:

Site Location: Recessed coverall door napkin disposal can be mounted into any wall configuration requiring a minimum of 4" depth.

Materials / Features: All stainless waste bin. Coverall door design. Recessed clean easy grip handle. Waste bin completely removable for convenient maintenance. Leak proof rotationally moulded plastic bin. Plastic bin is completely removable. Door is self closing counter balanced and secured to recessed body. Recessed body is made of corrosion resistant galvanized steel.

Shipping weight: Shipping weight 2.5 Kg (6 lbs.) per unit.

Installation: Provide wall opening 5-7/8" (15) wide x 9" (23) high x 4" (10) deep. Drill mounting holes in wall box as required. Insure top of unit, when mounted, does not exceed 48" (120) from floor level. Apply English/French "Napkin Disposal" label to lower front of unit.

Description and specifications applicable on date issued. Frost reserves the right to make improvements or changes without notice.

