



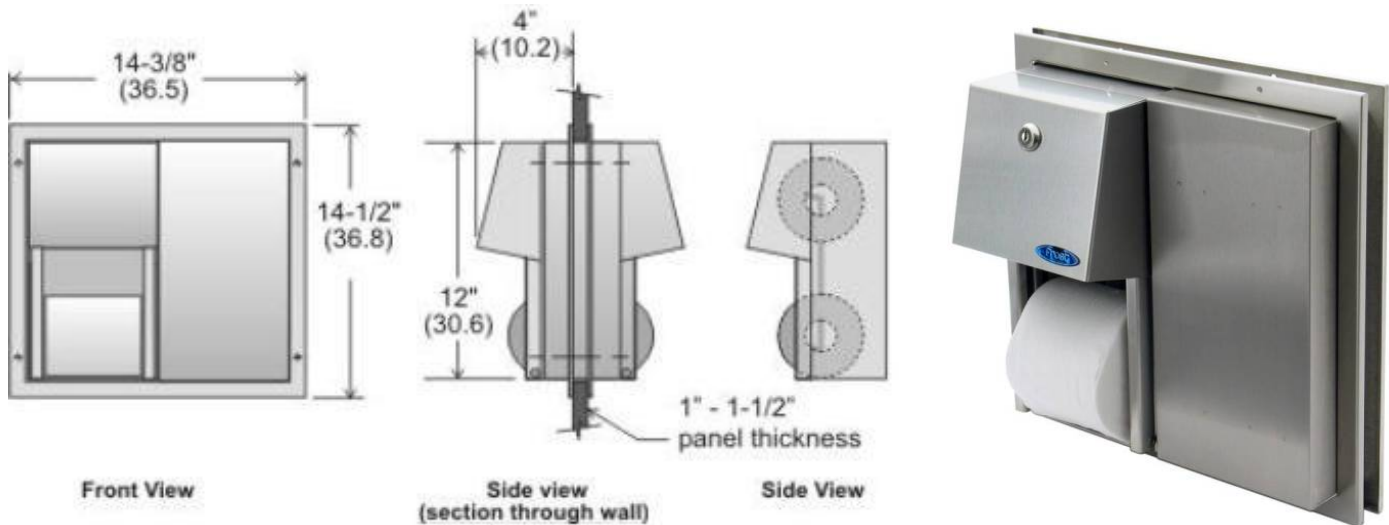
- Quality
- Value
- Service

**Tech  
Reference**

## Hygienic Solutions at Work

### Multi-Roll Toilet Tissue Dispenser, Reserve Roll

**Code 165DP:** Two compartment mounting of multi-roll toilet tissue dispenser with reserve roll. Stainless steel finish.



#### Specifications:

**Site Location:** Ideal for areas requiring space savings. The code 165 reserve a roll dispenser will only dispense its reserve second roll after the first roll is empty.

**165 Dispensing:** Dispenses all standard toilet tissue rolls. Capacity of two rolls per unit. Comes with keyed tumbler lock to reduce pilferage and vandalism. Front loading for easy service and maintenance. Rollers are non removable without keyed access.

**Materials:** Frame is all stainless steel one piece, welded construction of 22 gauge ss.

**Installation:** For unrestricted access, bottom of rough opening to floor should not exceed 44" (111.7). Provide rough opening 12-1/2" high x 12-3/8" wide. Attach frames to partition, when secure slip toilet tissue unit through frame and secure to back of frame with mounting screws provided.

Description and specifications applicable on date issued. Frost reserves the right to make improvements or changes without notice.

