

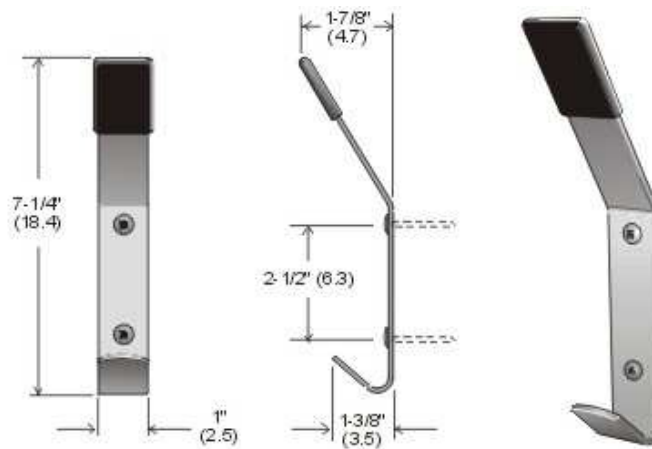


- Quality
- Value
- Service

**Tech
Reference**

Coat Hooks

Code 1146B: Surface mounted single hook with bumper, Stainless Steel



Specifications:

The code 1146B has a vinyl covered protective end to help prevent scratching when mounted to doors or in the path of door swings.

Materials: Hooks are fabricated from 12 gauge (.1") thick solid stainless steel. All stainless shall be type 304 with no. 4 brushed finish. Ends are radiused with all edges deburred.

Shipping Weight: 1/4 lb. (100 grams)

Installation: Single hook mounting hole centres 2.5" c-c (63.5 mm). Pan socket head SS mounting screws provided. For unrestricted access, top of coat hook to floor does not exceed 48" (120).

Description and specifications applicable on date issued. Frost reserves the right to make improvements or changes without notice.

