



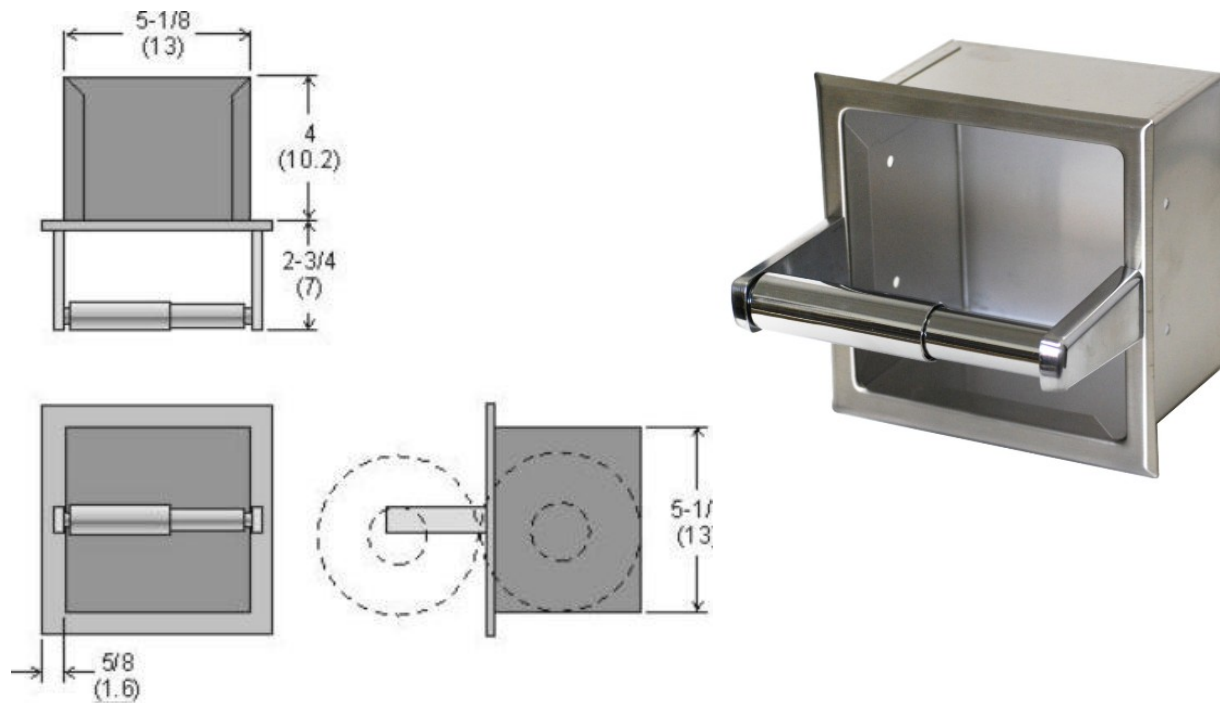
- Quality
- Value
- Service

**Tech
Reference**

Hygienic Solutions at Work

Reserve Roll Toilet Tissue Holder

Code 1134RR: Reserve Roll Toilet Tissue Holder, recessed.



Specifications:

Specification: Recessed reserve roll toilet tissue holder. Toilet tissue holder is designed to be installed into a 4" (10.2) deep recess. The 4" deep well will hold an extra roll behind the exposed roll. Roller is white plastic.

Material: All exposed surfaces are fabricated of satin finish stainless steel. Recessed portion of unit is mill finish stainless steel.

Installation: Provide a wall opening 5-1/4" (13.5) x 5-1/4" (13.5) x 4" (10.2) deep. Secure to studs or solid backing through mounting holes. Mounting screws provided.

Description and specifications applicable on date issued. Frost reserves the right to make improvements or changes without notice.

