



- Quality
- Value
- Service

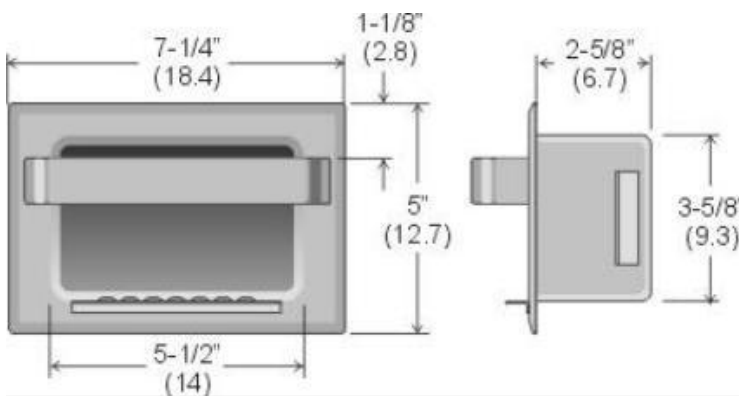
**Tech
Reference**

Hygienic Solutions at Work

Soap Holder & Grip Bar, Heavy Duty

Code 1133HD: Recessed heavy duty soap holder and grip bar, stainless steel

[Download PDF](#)



Specifications:

Material: Recessed heavy duty stainless steel soap dish is constructed of a one piece drawn seamless heavy guage stainless steel. Drip lip is fabricated of 18 gauge stainless steel. The grab bar is constructed of 3/16" stainless steel. All exposed surfaces have an architectural satin finish.

Installation: Cut a rough wall opening 6-3/4"W (17.2) x 4-1/2"H (11.5) x 2-1/2"D (6.4). Soap dish has mortar lugs for anchorage with cement. Apply cement to back of the mounting brackets and insert into wall opening.

Description and specifications applicable on date issued. Frost reserves the right to make improvements or changes without notice.

