



- Quality
- Value
- Service

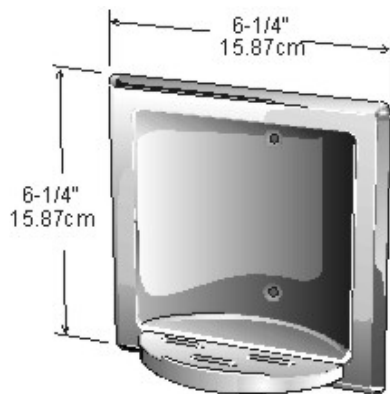
**Tech
Reference**

Hygienic Solutions at Work

Soap Holder

Code 1132S: Stainless Steel

[Download
PDF](#)



Specifications:

Material: Stainless Steel

Wall box size: 5-1/4" x 5-1/4" x 1-1/2"

Also available in heavy duty design.

Description and specifications applicable on date issued. Frost reserves the right to make improvements or changes without notice.

