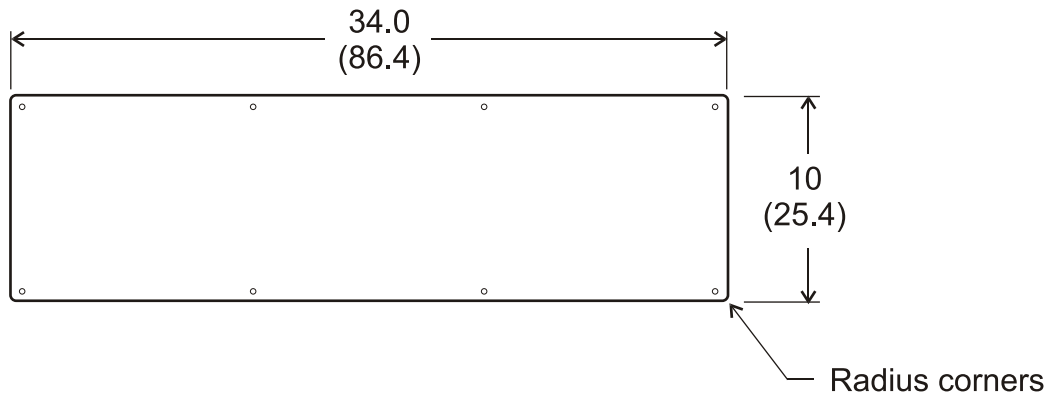
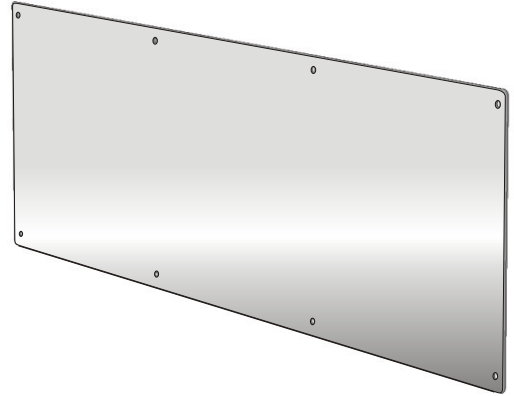




## Kick Plate, Stainless Steel

**Code 1118:** Kick plate, stainless steel, type 304 #4 finish, 10" x 34".  
(Other sizes available on special order)

Overall dimensions in inches, cm in brackets.



Front view

3/4 View

## Specifications

- Features:**
- All stainless steel (20 ga.) type 304 # 4 finish.
  - Radius corners.
  - Comes with 8 mounting screws to insure even mounting to door.
  - Stainless steel comes with pvc protective film to be removed after installation

**Shipping weight:** • 3-1/2 lbs. (1.5 kg.), packaged individually.

**Installation:** Use kick plate as template to mark mounting holes, Mounting screws provided.

