

QUICK CHANGE

BEFORE



AFTER



XLERATOR® HAND DRYER XCHANGER® COMBO KIT

The XChanger Combo Kit allows you to completely retrofit your paper dispenser and waste receptacle with the XLERATOR® hand dryer. This panel is easily installed over the space left by the former paper dispenser and will not cause damage to the existing wall surface. The XLERATOR hand dryer with ADA compliant Recess Kit is installed into the XChanger leaving your restroom modern, clean and green.

XLERATOR® HAND DRYER XCHANGER® COMBO KIT



XCHANGER COMBO KIT

PART #40575 - STANDARD
PART #40576 - ADA HEIGHT



(XLERATOR Hand Dryer not included)

| Part ID | Description | List Price |
|---------|---|------------|
| 40502 | Recess Kit, Brushed Stainless Steel (for ADA 4" protrusion requirements) | \$180 |
| 40550 | XChanger, Brushed Stainless Steel (Use with #40502 Recess Kit) | \$220 |
| 40551 | XChanger, Brushed Stainless Steel, ADA Height (Use with #40502 Recess Kit) | \$220 |
| 40575 | XChanger Combo Kit: Comes with ADA Recess Kit #40502 and Standard XChanger #40550 | \$400 |
| 40576 | ADA XChanger Combo Kit: Comes with ADA Recess Kit #40502 and ADA Height XChanger #40551 | \$400 |

XCHANGER SPECIFICATIONS

Weight: 17 Lbs. (7.7 kg)

Overall Dimensions: 17 1/4" wide x 56" high x 1" deep

Rough Wall Opening: XChanger is installed over the footprint of most common paper towel dispenser/waste receptacles or approximately 17 1/4" wide x 56" high

Installation Guide (Consult local ADA codes):

The XChanger is a retrofitable conversion kit which will enable you to update your existing paper towel dispenser and waste receptacle to an XLERATOR hand dryer. Used in conjunction with the Recess Kit, the XChanger is installed over the footprint of common paper towel dispenser/waste receptacles designed to match their dimensions so there is little or no wall repair required once the XChanger kit is installed.

ADA Height XChanger Kit: The XChanger also comes in an ADA version. The opening to the unit is 7" lower to allow the recess kit and XLERATOR hand dryer to be ADA compliant. Check local regulations for actual ADA compliance rules.

CONSTRUCTION

XChanger is fabricated of 18 gauge 18-8 type 304 stainless steel with #4 satin finish. All welded construction.

RECESS KIT SPECIFICATIONS

Width: 16 3/8" (416 mm)

Height: 26" (660 mm)

Depth: 3 3/8" (86 mm)

Weight: 11 lbs. (4.99 kgs.)

Installation Guide (Consult local ADA codes):

An ADA-compliant Recess Kit for XLERATOR hand dryer models that adheres to the 4" protrusion ADA guidelines in a restroom walkway and helps keep water off the wall and floor. When installed, bottom of hand dryer will be 10" (254 mm) above bottom of rough wall opening. Therefore, bottom of rough wall opening should be 10" (254 mm) below suggested mounting height for hand dryer. (See suggested mounting heights above).

CONSTRUCTION

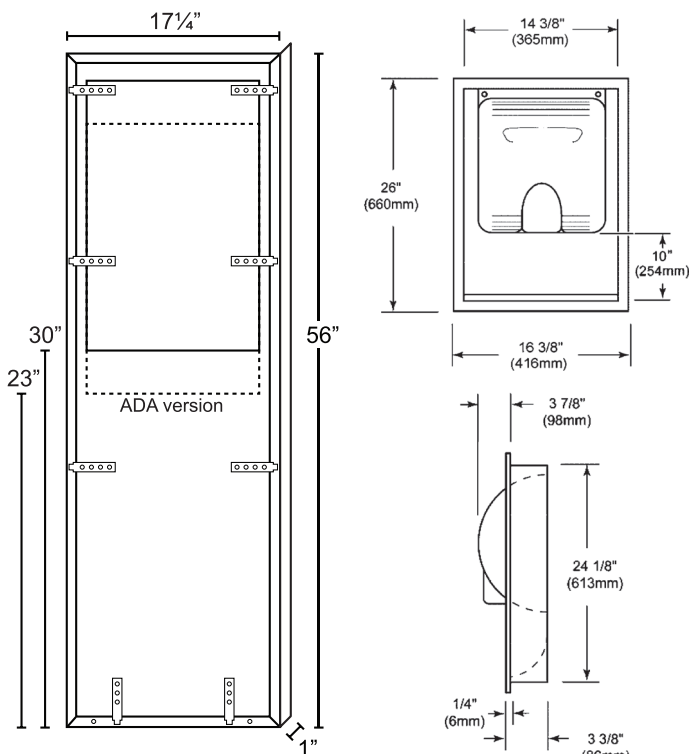
Wall box is fabricated of 22 GA 18-8 type 304 stainless steel with #4 satin finish with 16 GA 18-8 type 304 stainless steel dryer mounting plate. All welded construction.

**NATIONAL INSTALLATION SERVICES AVAILABLE
CALL FOR DETAILS 800-255-9235**

Handy Washroom Direct
www.handywashroom.com

PART #40550 - STANDARD
PART #40551 - ADA HEIGHT

PART #40502



TIME TO THROW IN THE TOWEL®

EXCEL DRYER INC • 1.800.255.9235 • EXCELDRYER.COM