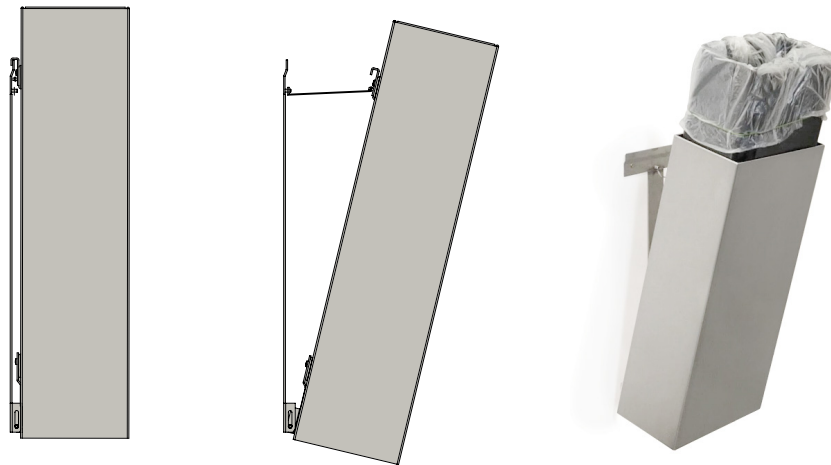


# *fino* collection

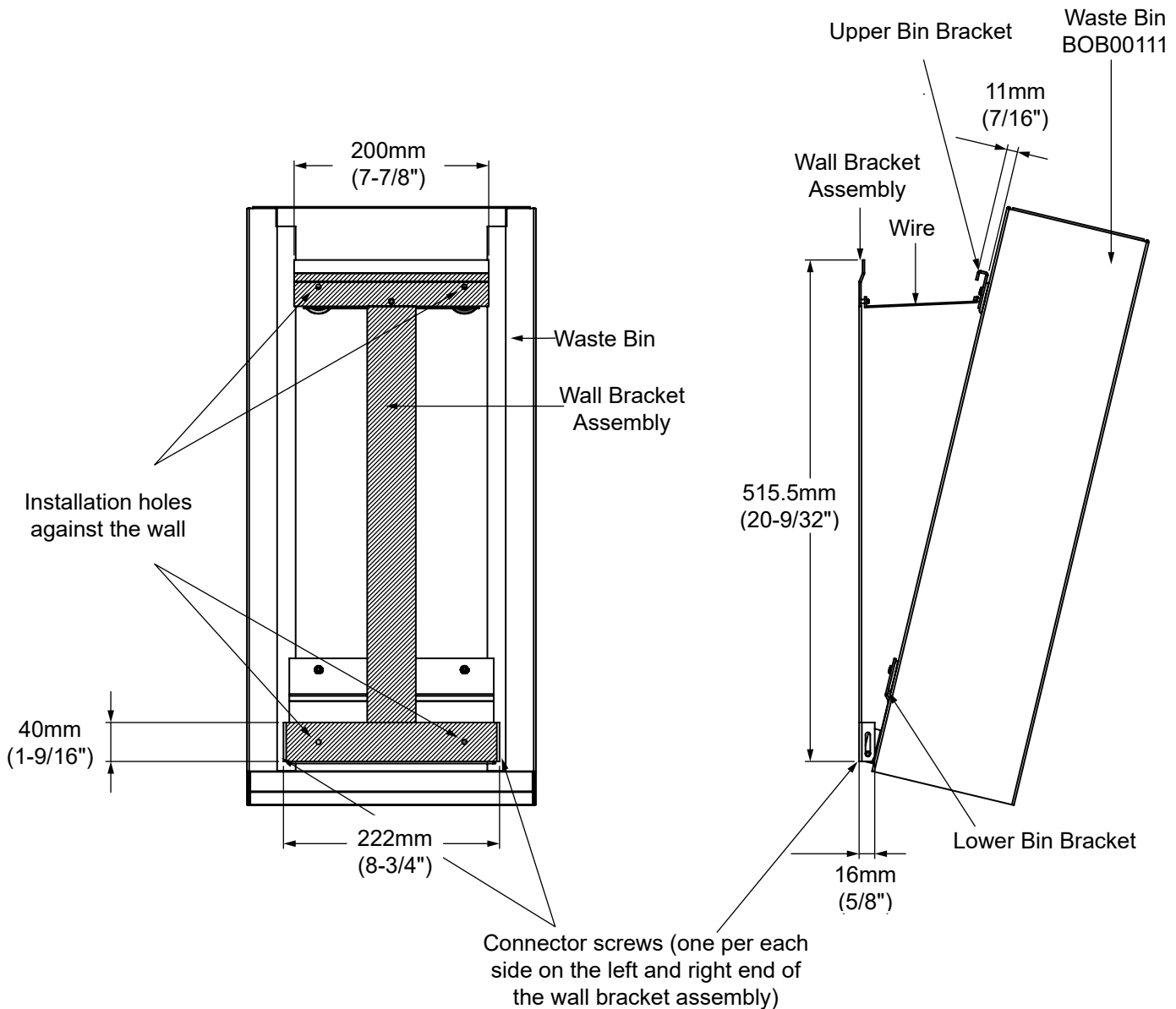
## Installation Instructions for the Waste Bin Bracket 9279-20



### Required Tools

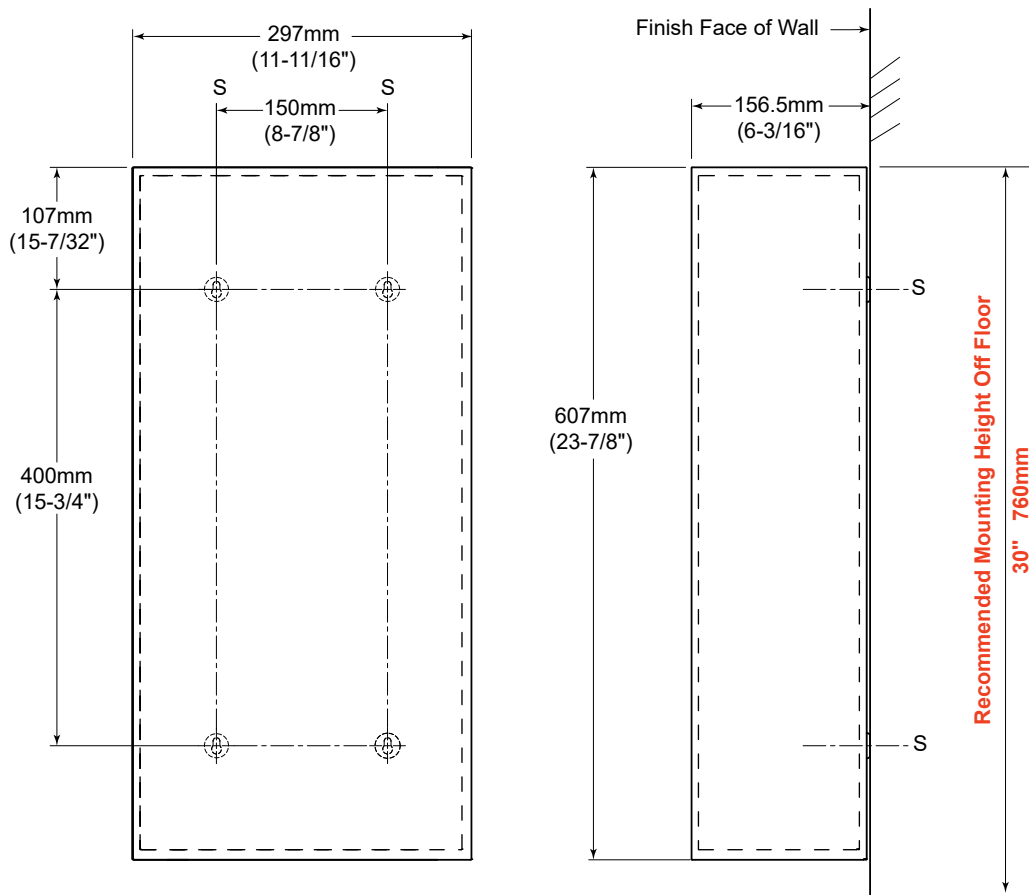
- A. 4 pcs. M3x8mm bulk machine screws -
  - 2 pcs. for upper bin bracket
  - 2 pcs. for lower bin bracket
- B. 2 pcs. M6x8mm cylindrical socket head cap screws:  
"Connector-screws," furnished to connect lower bin bracket  
and wall bracket assembly
- C. Laser/Spirit level
- D. Phillips Head Screwdriver
- E. 3mm and 7mm Allen Wrenches furnished as drill bits
- F. Adequate drill for hole to host 5mm (13/64") sheet metal screws.  
Hole diameter and depth and/or use of fasteners (e.g. for dry  
wall) depending on wall-type.





**Rear and Side View of the Waste Bin Bracket including the attached Waste Receptacle**

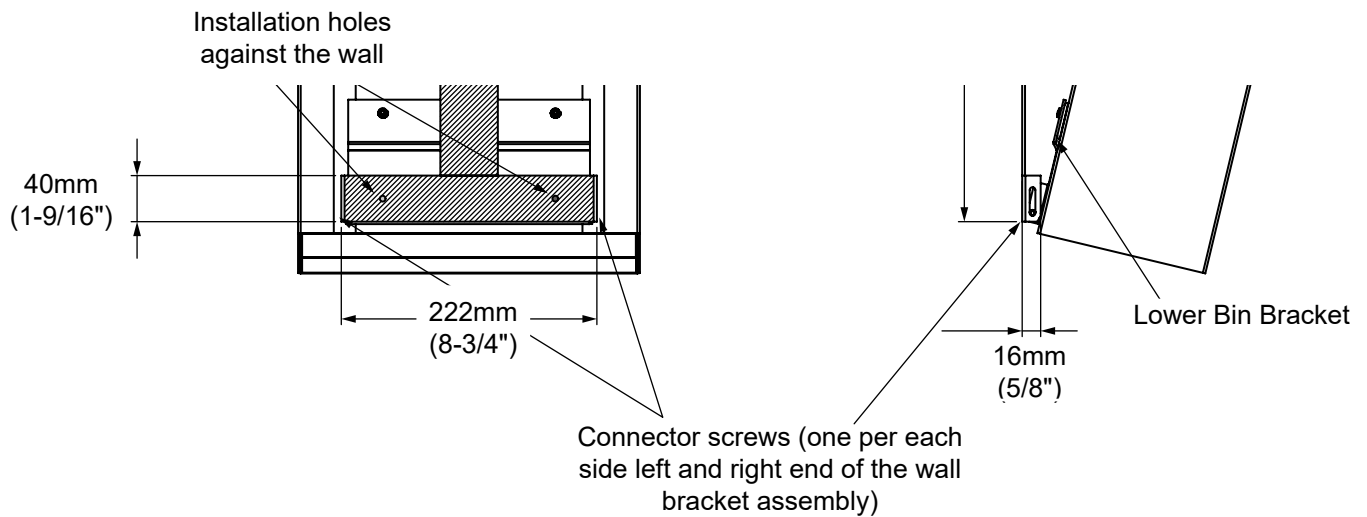
1. Securely fix Wall Bracket assembly (grey color in illustration above) to the wall (screws not furnished). Depending on wall type, use fasteners (fasteners not furnished). Assure free clearance underneath the Waste Receptacle in final position. Waste Receptacle will lower slightly when tilting forward.
2. In order to install at the recommended installation height of 30" above finished floor for the top of the Waste Receptacle:
  - a. Upper pair of holes in the wall need to be at 25-3/4" above finished floor.
  - b. Lower pair of holes in the wall need to be at 8-1/4" above finished floor.
  - c. Illustration on the next page shows measurements for recommended installation, marked with "S" in the right image.



3. Install upper bin bracket against the backside of the Waste Receptacle.
  - a. Utilize existing upper holes in the Waste Receptacle.
  - b. Hold bracket against the Waste Receptacle in a way that the shorter return will show away from the Waste Receptacle towards the wall.
  - c. Use furnished Allen Wrench bit to screw the furnished screws from inside the Waste Receptacle via the Waste Receptacle's upper holes outbound into the bracket's holes.
    - i. Apply washers onto the screws before putting screws through the holes of the Waste Receptacle.
    - ii. Bracket has integrated pem nuts to host the screws.
  
4. Install lower bin bracket against the backside of the Waste Receptacle.
  - a. Utilize existing lower holes in the Waste Receptacle.
  - b. Hold bracket against the Waste Receptacle in a way that the shorter return will show away from the Waste Receptacle towards the wall.
  - c. Use furnished Allen Wrench bit to screw the furnished screws from inside the Waste Receptacle via the Waste Receptacle's upper holes outbound into the bracket's holes.
  - d. Apply washers onto the screws before putting screws through the holes of the Waste Receptacle.
  - e. Bracket has integrated pem nuts to host the screws.



5. Mount lower bin bracket against wall bracket assembly (in case those parts are not connected already).
  - a. Hold Waste Receptacle with installed brackets against wall bracket assembly in a way that the bottom parts of both wall bracket assembly and lower bin bracket will overlap on each of the brackets' bottom sides. This will allow to put the connector-screws through each of the overlapped holes on each brackets' sides, sideways from outside in – see below extracted portion from the first illustration.
  - b. Use furnished Allen Wrench bit to tighten screws.



**BUILDING VALUE SINCE 1906**  
**BOBRICK.COM**

© 2021 by Bobrick Washroom Equipment, Inc.

Form No. B-9279-20\_ii Issued 08/11/21 Printed in U.S.A.

**In the U.S.A.: BOBRICK WASHROOM EQUIPMENT, INC.**

Los Angeles: 6901 Tujunga Ave., North Hollywood, CA 91605-6213; Tel: (818) 982-9600, FAX: (818) 503-1102  
New York: 200 Commerce Drive, Clifton Park, NY 12065-1350; Tel: (518) 877-7444, FAX: (518) 877-5029,  
or e-mail: customerservice@bobrick.com

**In Canada: BOBRICK WASHROOM EQUIPMENT COMPANY**

45 Rolark Drive, Scarborough, Ontario M1R 3B1 • Eastern Canada: Tel: (877) 423-6555 • FAX: (877) 423-8555  
• Western Canada: Tel: (877) 423-6444 • FAX: (877) 423-8444

