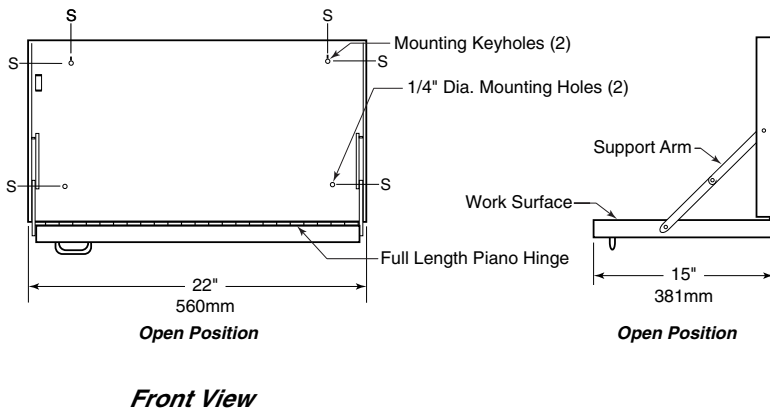




Technical Data

FOLDING CHARTING STATION / SHELF

B-7816



MATERIALS:

Shelf — Constructed entirely of 20 gauge (0.91mm) Type 304 stainless steel. All exposed surfaces shall have satin-finish.

OPERATION:

Folding Utility Shelf suitable for writing, laptop computer or instrument storage. Unit folds up when not in use to a compact, minimal profile. Has twin desk supports for handling loads up to 60 lbs. Positive action catch holds desk firmly in place in stored position. Pull on handle in upper left corner and lower table to horizontal position. To close, raise table to vertical position until table clicks into place.

INSTALLATION:

Mount unit on wall with four sheet-metal screws at points indicated by an S. For plaster or dry wall construction, provide concealed backing to comply with local building codes, then secure unit with sheet-metal screws. For other wall construction, provide fiber plugs or expansion shields for use with sheet-metal screws, or provide 1/8" (3mm) toggle bolts or expansion bolts. If unit projects above top of wainscot, provide aluminum channel or other filler to eliminate gap between unit and finish face of wall.

SPECIFICATION:

Folding Charting Station / Shelf shall be constructed of 20 gauge (0.91mm), Type 304 stainless steel with satin-finish and double wall, welded construction. Overall size to be 22" W (559mm), 15" D (381mm) in extended position 16" H (406mm), 1-3/8" D, (35mm) in retracted position. Desk secured to cabinet with a full-length stainless steel piano-hinge. Desk top shall be supported by two articulating support arms that retract into a concealed location within the desk.

Folding Charting Station / Shelf shall be Model B-7816 of Bobrick Washroom Equipment, Inc., Clifton Park, New York; Jackson, Tennessee; Los Angeles, California; Bobrick Washroom Equipment Company, Scarborough, Ontario; Bobrick Washroom Equipment Pty. Ltd., Australia; and Bobrick Washroom Equipment Limited, United Kingdom.

