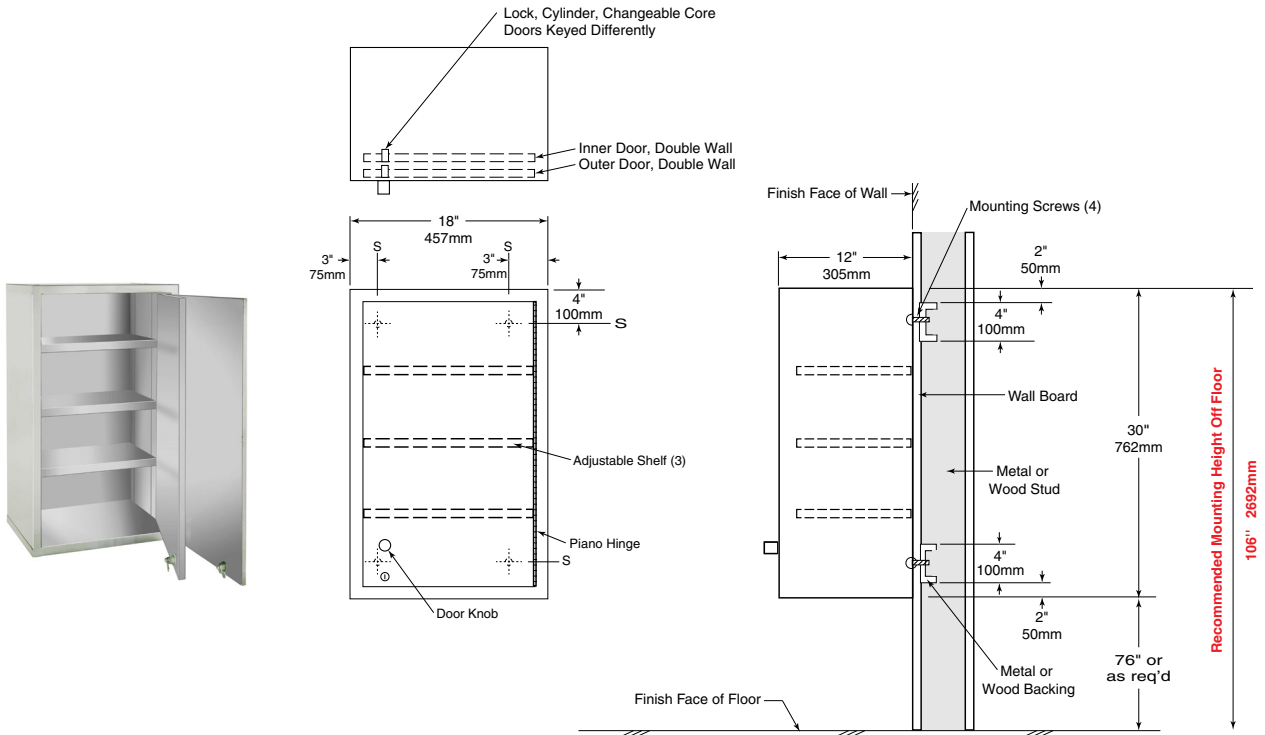




Technical Data

NARCOTICS CABINET

B-7316



MATERIALS:

Cabinet — Narcotics Cabinet is entirely constructed of 20 gauge (0.91mm) Type 304 stainless. All exposed surfaces shall have satin-finish. Double wall, all welded construction throughout and reinforced corners and doors provide security of narcotics. 18" W x 30" H x 12" D (457 x 762 x 305mm) outside dimension.

OPERATION:

Narcotics Cabinet for the secure storage of controlled substances. Two doors, one behind the other with a keyed lock on each door. Removable lock core for changing of keys. Double wall, welded construction throughout. Reinforced corners and doors. Unlock outer door with key, then inner door with separate key. Close and lock doors with keys. Note that doors will not close with key still in lock.

INSTALLATION:

Mount unit on wall with four sheet-metal screws at points indicated by an S. For plaster or dry wall construction, provide concealed backing to comply with local building codes, then secure unit with sheet-metal screws. For other wall construction, provide fiber plugs or expansion shields for use with sheet-metal screws, or provide 1/8" (3mm) toggle bolts or expansion bolts. If unit projects above top of wainscot, provide aluminum channel or other filler to eliminate gap between unit and finish face of wall.

SPECIFICATION:

Narcotics Cabinet design shall conform to Department of Justice (DOJ) standards for the storage of controlled substances. Cabinet shall be constructed of 20 gauge (0.91mm) Type 304 stainless steel with satin finish, double wall welded construction throughout. Cabinet shall be 18" W x 30" H x 12" D (457 x 762 x 305mm) and have two doors, one behind the other. Each door shall have a keyed lock. Door shall not close with keys left in locks. Reinforced doors and corners. Doors secured to Cabinet with a full-length stainless steel piano-hinge.

Narcotics Cabinet shall be Model B-7316 of Bobrick Washroom Equipment, Inc., Clifton Park, New York; Jackson, Tennessee; Los Angeles, California; Bobrick Washroom Equipment Company, Scarborough, Ontario; Bobrick Washroom Equipment Pty. Ltd., Australia; and Bobrick Washroom Equipment Limited, United Kingdom.

