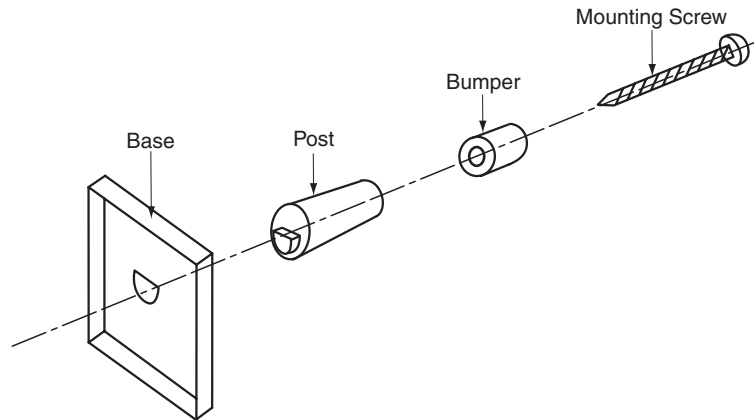
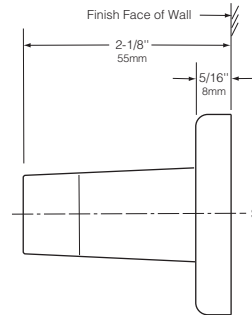
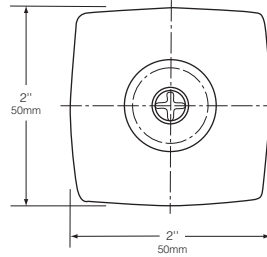




Technical Data

# SURFACE-MOUNTED DOOR BUMPER

# B-687



## MATERIALS:

**Post** — Black nylon.

**Bumper** — Black neoprene.

**Base** — 18-8, type-304, 22-gauge (0.8mm) stainless steel.

## INSTALLATION:

Mount unit on wall with sheet-metal screw furnished by manufacturer at point indicated by an S.

1. Position Door Bumper in desired location.
2. Use Base (687-4) as a template to locate hole for mounting screw.
3. For mounting on wood or particle board. 1" (25mm) minimum thickness, drill #26 x 1/2" (3.7 x 12.7mm).
4. Install Bumper with one #10 x 2-1/2" (64mm) sheet-metal screw furnished by manufacturer.

## SPECIFICATION:

Surface-mounted door bumper shall have base constructed of type-304 stainless steel with bright polished finish. Unit shall be equipped with black neoprene bumper.

**Surface-Mounted Door Bumper shall be Model B-687 of Bobrick Washroom Equipment, Inc., Clifton Park, New York; Jackson, Tennessee; Los Angeles, California; Bobrick Washroom Equipment Company, Scarborough, Ontario; Bobrick Washroom Equipment Pty. Ltd., Australia; and Bobrick Washroom Equipment Limited, United Kingdom.**

