

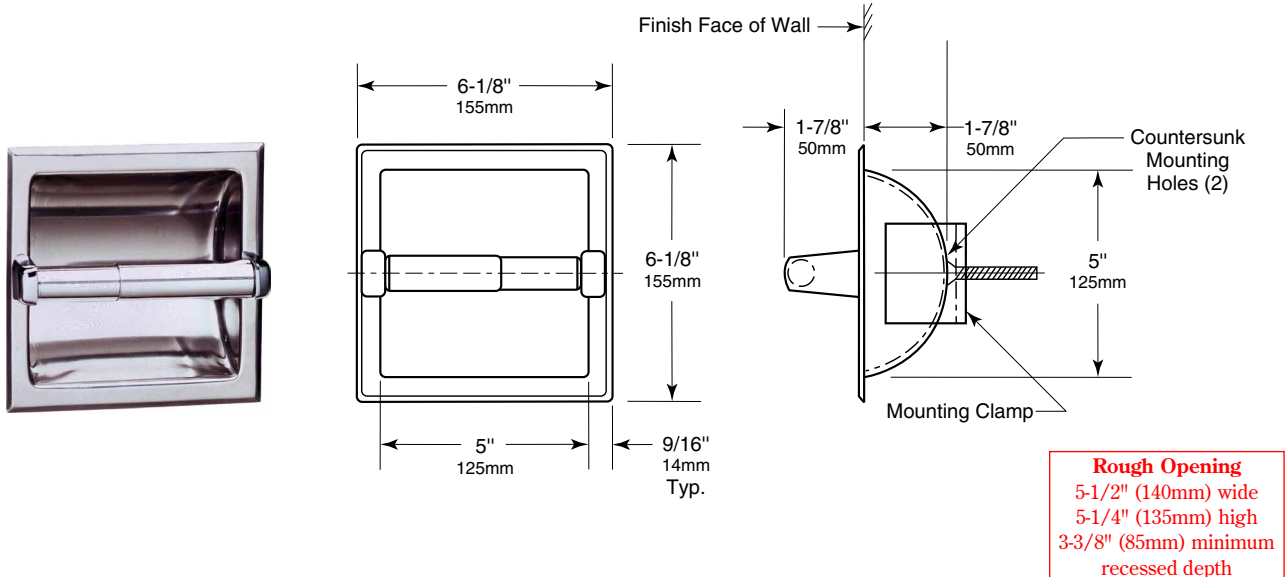


# Technical Data

## RECESSED TOILET TISSUE DISPENSER (FOR STUD WALL OR COUNTERTOP APRONS)

# B-667 B-6677

Specify Model Required:  Model B-667 Bright polished stainless steel  
 Model B-6677 Satin-finish stainless steel



### MATERIALS:

**Shell and Flange** — 18-8, type-304, 22-gauge (0.8mm) stainless steel. Drawn, one-piece, seamless construction with two countersunk mounting holes.

**Support Posts (2)** — Heavy-duty cast zamak with chrome-plated finish.

**Mounting Bracket** — Plated steel mounting clamp attaches to back of unit with two sheet-metal screws for installation in stud wall construction and countertop aprons.

**Spindle** — Chrome-plated plastic equipped with heavy-duty internal spring.

*Designer's Note:* Theft-resistant toilet tissue spindle, which is removable only with special key provided, is available as an optional accessory. To specify, add suffix .60 to model number. Example: B-667.60.

### INSTALLATION:

Provide framed rough opening 5-1/2" wide x 5-1/4" high (140 x 135mm). Minimum recessed depth required from finish face of wall or apron is 3-3/8" (85mm).

For installation in stud wall construction and countertop aprons without backing: Loosely attach mounting clamp to back of unit with sheet-metal mounting screws. Insert into rough opening. Adjust mounting clamp so it grips surface inside rough opening. Secure in place by tightening two sheet-metal mounting screws.

For installation in stud wall construction and countertop aprons with backing: Discard mounting clamp furnished with unit. Insert unit only into rough opening and secure with sheet-metal screws furnished. Backing must comply with local building codes.

### SPECIFICATION:

Recessed toilet tissue dispenser shall be constructed of type-304, 22-gauge (0.8mm) stainless steel with \_\_\_\_\_ (insert one: bright polished or satin) finish. Shell and flange shall be drawn, one-piece, seamless construction. \*Spindle shall be equipped with a heavy-duty internal spring. Unit shall be furnished with plated steel mounting clamp for stud wall construction and countertop aprons.

*\*To specify theft-resistant spindle as an optional accessory, add to specification:* Theft-resistant toilet tissue spindle shall be removable only with special key provided.

Recessed Toilet Tissue Dispenser shall be Model \_\_\_\_\_ (insert model number) of Bobrick Washroom Equipment, Inc., Clifton Park, New York; Jackson, Tennessee; Los Angeles, California; Bobrick Washroom Equipment Company, Scarborough; Bobrick Washroom Equipment Pty. Ltd., Australia; and Bobrick Washroom Equipment Limited, United Kingdom.

