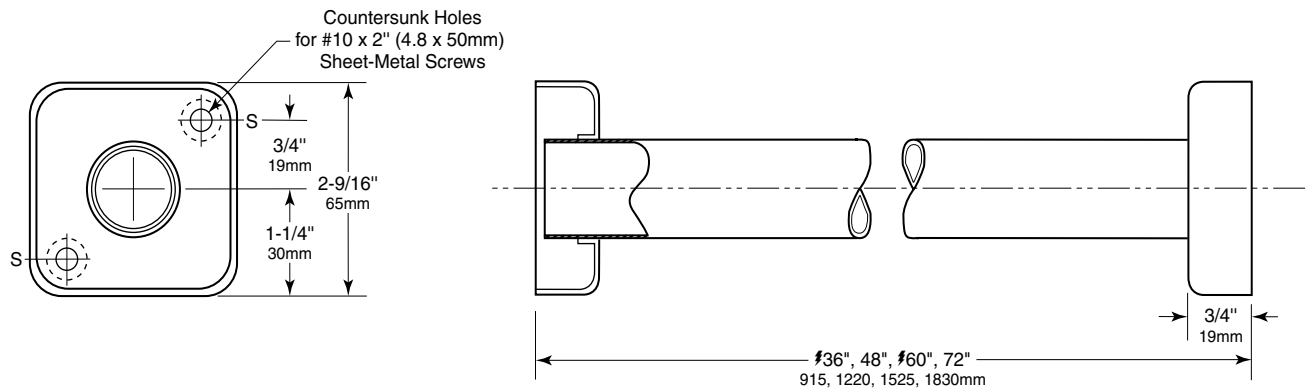




Technical Data

# ClassicSeries® EXTRA-HEAVY-DUTY SHOWER CURTAIN ROD

# B-6047



### MATERIALS:

**Curtain Rod** — 18-8, type-304, 18-gauge (1.2mm) stainless steel tubing with satin finish. 1-1/4" (32mm) outside diameter. Available in lengths from 36" (915mm) up to 72" (1830mm).

**Flanges** — 18-8, type-304, 20-gauge (1.0mm) stainless steel with satin finish. One-piece, die-formed.

### INSTALLATION:

Slide flanges onto curtain rod. Position flanges against wall and secure with #10 x 2" (M4.8 x 50mm) Phillips oval-head, stainless steel, sheet-metal screws, furnished by manufacturer, at points indicated by an *S*. For plaster or dry wall construction, provide concealed backing to comply with local building codes, then secure flanges with sheet-metal screws furnished. For other wall surfaces, provide fiber plugs or expansion shields for use with sheet-metal screws furnished, or provide 1/8" (3mm) toggle bolts or expansion bolts.

### SPECIFICATION:

Shower curtain rod shall be type-304, 18-gauge (1.2mm) stainless steel with satin finish and have outside diameter of 1-1/4" (30mm). One-piece, die-formed flanges shall be type-304, 20-gauge (1.0mm) stainless steel with satin finish.

**Shower Curtain Rod shall be Model B-6047 x \_\_\_\_\_ (insert length) of Bobrick Washroom Equipment, Inc., Clifton Park, New York; Jackson, Tennessee; Los Angeles, California; Bobrick Washroom Equipment Company, Scarborough, Ontario; Bobrick Washroom Equipment Pty. Ltd., Australia; and Bobrick Washroom Equipment Limited, United Kingdom.**

