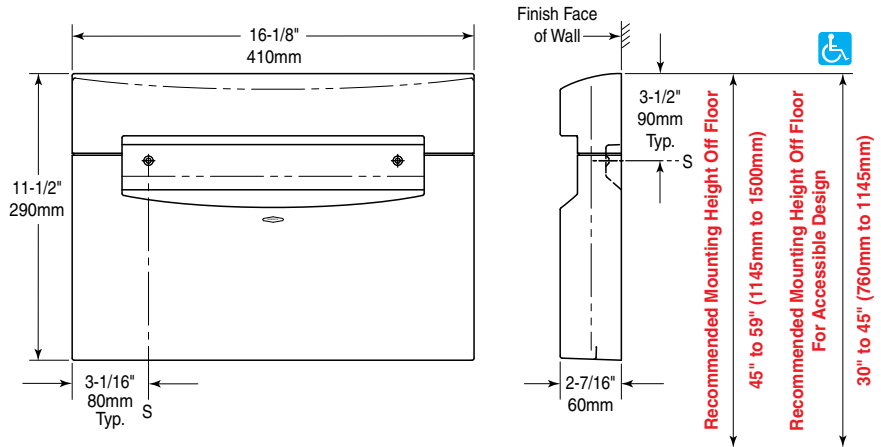




Technical Data

MatrixSeries® SURFACE-MOUNTED SEAT-COVER DISPENSER

B-5221



MATERIALS:

Durable, high-impact grey ABS with high-gloss finish on exposed surfaces. Front of dispenser has same degree of arc as other Bobrick MatrixSeries washroom accessories. Radius on corners, edges and top complement other MatrixSeries accessories.

OPERATION:

Dispenser holds single- or half-fold paper toilet seat covers. Dispenser fills from bottom through concealed opening. Capacity: 500 toilet seat covers.

INSTALLATION:

Mount unit on wall or partition of toilet compartment with two #8 x 1/2" (4.2 x 38mm) flat-head sheet-metal screws (not furnished) at points indicated by an S. For plaster or dry wall construction, provide concealed backing to comply with local building codes, then secure unit with sheet-metal screws. For other wall surfaces, provide fiber plugs or expansion shields for use with sheet-metal screws, or provide 1/8" (3mm) toggle bolts or expansion bolts.

Note: Provide a 5" (125mm) minimum clearance from bottom of dispenser to top of any horizontal projection to provide room for filling dispenser from bottom.

SPECIFICATION:

Surface-mounted toilet-seat-cover dispenser shall be durable, high-impact grey ABS with high-gloss finish on exposed surfaces. Front of dispenser shall have same degree of arc as other Bobrick MatrixSeries accessories in the washroom. Radius on corners, edges and top of dispenser shall complement other Bobrick MatrixSeries washroom accessories. Unit shall have a rectangular opening for dispensing toilet seat covers and a concealed opening in bottom for filling. Capacity shall be 500 paper toilet seat covers.

Surface-Mounted Toilet-Seat-Cover Dispenser shall be Model B-5221 of Bobrick Washroom Equipment, Inc., Clifton Park, New York; Jackson, Tennessee; Los Angeles, California; Bobrick Washroom Equipment Company, Scarborough, Ontario; Bobrick Washroom Equipment Pty. Ltd., Australia; and Bobrick Washroom Equipment Limited, United Kingdom.

