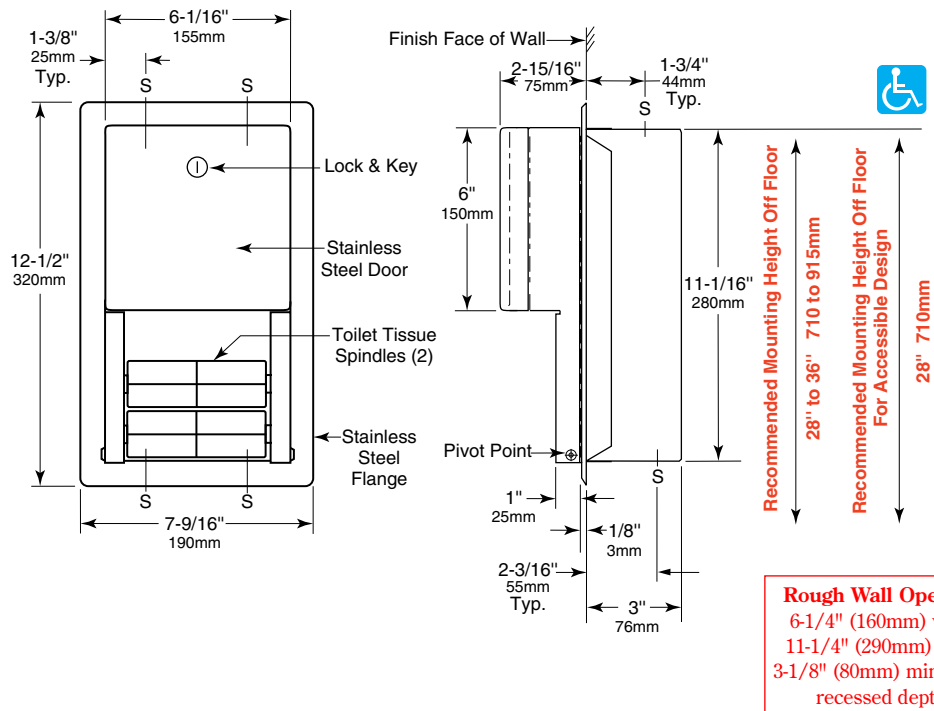




Technical Data

ConturaSeries® RECESSED MULTI-ROLL TOILET TISSUE DISPENSER

B-4388



MATERIALS:

Cabinet — 18-8, type-304, 22-gauge (0.8mm) stainless steel. Welded construction. Exposed surfaces have satin finish.

Flange — 18-8, type-304, 22-gauge (0.8mm) stainless steel with satin finish. Drawn, one-piece, seamless construction. Radius on corners and return edges complement corners and edges of door.

Door — 18-8, type-304, 22-gauge (0.8mm) stainless steel with 18-gauge (1.2mm) stainless steel door frame. Exposed surfaces have satin finish. Front of door is drawn, one-piece, seamless construction and has same degree of arc as other Bobrick ConturaSeries washroom accessories. Radius on corners and edges of door complement other ConturaSeries accessories. Secured to cabinet with two rivets. Equipped with a flush tumbler lock keyed like other Bobrick washroom accessories.

Dispensing Mechanism, Inner Housing, and Cam — 18-8, type-304, 18-gauge (1.2mm) stainless steel.

Spindles (2) — Heavy-duty, one-piece, molded ABS. Theft-resistant, spindles retained in dispensing mechanism when door is locked.

OPERATION:

Unit holds two standard-core toilet tissue rolls up to 5-1/4" (133mm) diameter (1800 sheets). Tissue rolls are loaded and locked into dispensing mechanism. Extra roll automatically drops in place when bottom roll is depleted. Depleted rolls can only be removed after unlocking door.

INSTALLATION:

Provide framed rough wall opening 6-1/4" wide x 11-1/4" high (160 x 290mm). Minimum recessed depth required to finish face of wall is 3-1/8" (80mm). Allow clearance for construction features that may protrude into opening from opposite wall. Coordinate with mechanical engineer to avoid pipes, vents, and conduits. Mount unit in wall opening with shims between framing and cabinet at all points indicated by an S, then secure unit with four #10 x 5/8" (4.8 x 16mm) sheet-metal screws (not furnished).

SPECIFICATION:

Recessed multi-roll toilet tissue dispenser shall be type-304 stainless steel with welded construction, including dispensing mechanism, inner housing and cam; exposed surfaces shall have satin finish. Front of toilet tissue dispenser door shall be drawn, one-piece, seamless construction and shall have same degree of arc and match other Bobrick ConturaSeries accessories in the washroom. Radius on corners and edges of flange and door shall complement other Bobrick ConturaSeries washroom accessories. Door shall be secured to cabinet with two rivets and equipped with a flush tumbler lock keyed like other Bobrick washroom accessories. Flange shall be drawn, one-piece, seamless construction. Unit shall dispense two standard-core toilet tissue rolls up to 5-1/4" (133mm) diameter (1800 sheets). Extra roll shall automatically drop in place when bottom roll is depleted. Unit shall be equipped with two heavy-duty, one-piece, molded ABS spindles. Theft-resistant, spindles retained in dispensing mechanism when door is locked.

Recessed Multi-Roll Toilet Tissue Dispenser shall be Model B-4388 of Bobrick Washroom Equipment, Inc., Clifton Park, New York; Jackson, Tennessee; Los Angeles, California; Bobrick Washroom Equipment Company, Scarborough, Ontario; Bobrick Washroom Equipment Pty. Ltd., Australia; and Bobrick Washroom Equipment Limited, United Kingdom.

