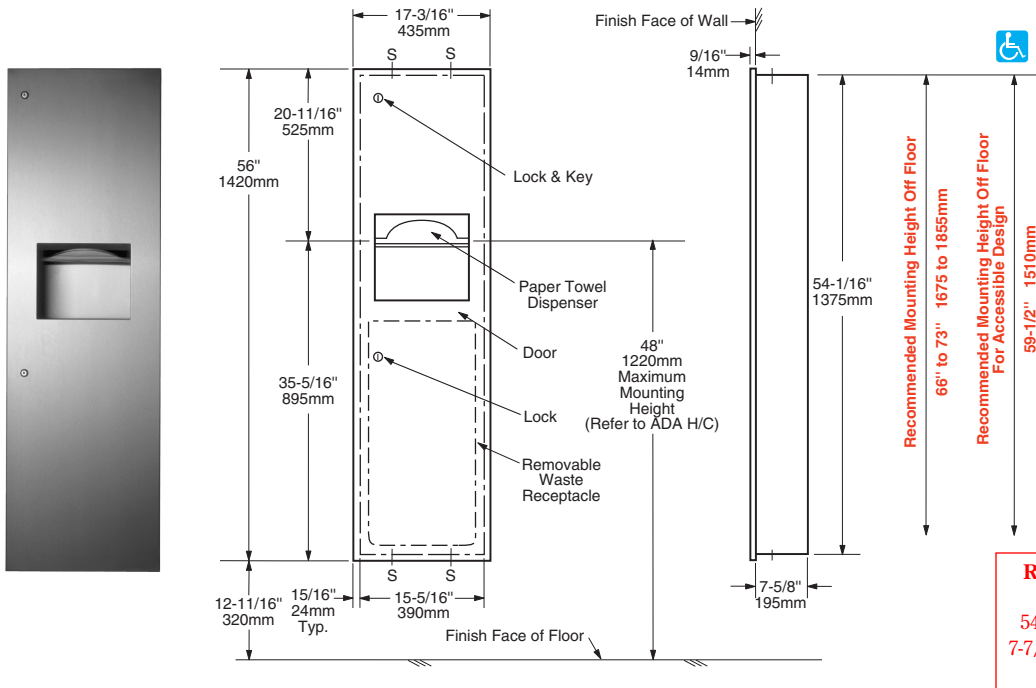




Technical Data

**TrimLineSeries™
RECESSED
PAPER TOWEL DISPENSER
AND WASTE RECEPTACLE**

B-39003



Rough Wall Opening
 16" (405mm) wide
 54-5/8" (1387mm) high
 7-7/8" (200mm) minimum
 recessed depth

MATERIALS:

Cabinet — 18-8, type-304, heavy-gauge stainless steel. All-welded construction. Exposed surfaces have satin finish.

Door — 18-8, type-304, 18-gauge (1.2mm) stainless steel with satin finish. 9/16" (14mm) 90° return edges for maximum rigidity. Secured to cabinet with a concealed, full-length, stainless steel piano-hinge. Equipped with two tumbler locks keyed like other Bobrick washroom accessories.

Paper Towel Dispenser — 18-8, type-304, 22-gauge (0.8mm) stainless steel with satin finish. Rounded towel tray has hemmed opening to dispense paper towels without tearing. Capacity: 600 C-fold, 800 multifold, or 1100 singlefold paper towels.

Waste Container — Removable, leakproof, rigid molded plastic. Capacity: 12-gal. (45.4-L).

Optional: Order Bobrick Model No. 39003-130 TowelMate® available as an optional accessory. TowelMate accessory allows for paper towels to dispense one at a time without bulging or sagging, or falling through the towel tray opening. The 90 degree return on the towel guide prevents papers from falling forward and out when door is opened for servicing.

OPERATION:

Paper towel dispenser adjusts to accommodate C-fold, multifold, or singlefold paper towels by repositioning built-in adapter tabs in one of six slots. No additional towel trays or adapters required. Waste receptacle is serviced by opening door and removing waste container.

INSTALLATION:

Provide framed rough wall opening 16" wide x 54-3/4" high (405 x 1390mm). Minimum depth required from finish face of wall is 7-7/8" (200mm). Allow clearance for construction features that may protrude into rough wall opening from opposite wall. Coordinate with mechanical engineer to avoid pipes, vents, and conduits. If unit projects above top of wainscot, provide aluminum channel or other filler to eliminate gap between flange and finish face of wall. Mount unit in wall opening with shims between framing and cabinet at all points indicated by an S, then secure unit with #8 x 1-1/4" (4.2 x 32mm) sheet-metal screws (not furnished).

SPECIFICATION:

Recessed paper towel dispenser and waste receptacle shall be type-304 stainless steel with all-welded construction; exposed surfaces shall have satin finish. Door shall be 18 gauge (1.2mm); have 9/16" (14mm) 90° return edges; be secured to cabinet with a concealed, full-length, stainless steel piano-hinge; and equipped with two tumbler locks keyed like other Bobrick washroom accessories. Paper towel dispenser shall be equipped with a six-position adapter that is adjustable to dispense 600 C-fold, 800 multifold, or 1100 singlefold paper towels. Waste receptacle shall be furnished with a removable, leakproof, rigid molded plastic waste-container with a minimum capacity of 12-gal. (45.4-L).

Recessed Paper Towel Dispenser And Waste Receptacle shall be Model B-39003 of Bobrick Washroom Equipment, Inc., Clifton Park, New York; Jackson, Tennessee; Los Angeles, California; Bobrick Washroom Equipment Company, Scarborough, Ontario; Bobrick Washroom Equipment Pty. Ltd., Australia; Bobrick Washroom Equipment Limited, United Kingdom.

