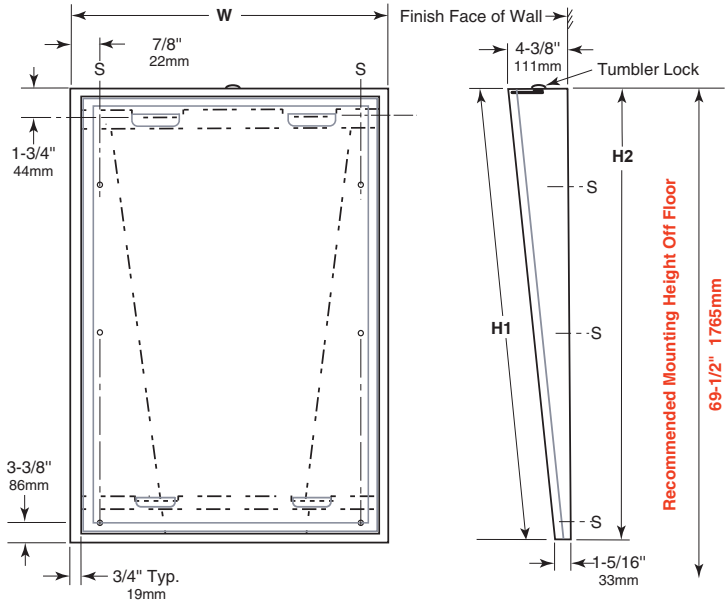




# Technical Data

# TILT MIRROR WITH STAINLESS STEEL FRAME

# B-293 SERIES



### STANDARD STOCK SIZES

MODEL NO.	MIRROR SIZE		OVERALL SIZE	
	W	H1	W	H2
B-293 1830	18" (46cm)	30" (76cm)	18" (46cm)	30-3/16" (77cm)
B-293 1836	18" (46cm)	36" (91cm)	18" (46cm)	36-3/16" (92cm)
B-293 2436	24" (61cm)	36" (91cm)	24" (61cm)	36-3/16" (92cm)

Other sizes up to 40" x 40" (101 x 122cm) or 48" x 36" (122 x 91cm) are available on special order; minimum size available, 16" x 24" (41 x 61cm). Design not as shown

### MATERIALS:

**Mirror Frame** — 18-8, type 304, heavy-gauge stainless steel,  $3/4" \times 3/4"$  (19 x 19mm) angle with vertical-grain satin finish. One piece, roll-formed construction forms continuous integral stiffener on all sides. Bevel design on front of angle holds frame tightly against mirror. Corners of mirror frame are heliarc welded, ground and polish smooth. Galvanized steel back is fastened to frame with concealed screws and equipped with integral horizontal hanging brackets near the top and bottom of the mirror for hanging the mirror and to prevent the mirror from pulling away from the wall frame.

**Wall Frame** — 18-8, type 304, heavy-gauge stainless steel with satin finish. Tapers from  $4-3/8"$  (111mm) depth at top to  $1-5/16"$  (33mm) depth at bottom. Wall Frame furnished with tumbler lock to secure mirror to wall frame.

*Designer's Note:* Type 304 stainless steel provides superior corrosion resistance, compared to 400 Series stainless steel, against environmental moisture, hose-down maintenance and strong cleaning solutions.

**Mirror** — No. 1 quality,  $1/4"$  (6mm) select float glass, selected for silvering; electrolytically copper-plated by the galvanic process, guaranteed for 15 years against silver spoilage. All edges are polished and protected by plastic filler strips; back is protected by full-size, shock-absorbing, water-resistant, nonabrasive,  $1/8"$  (3mm) thick polystyrene padding.

### OPERATION:

Mirror is designed to provide full visibility for wheelchair patients in hospitals and nursing homes.

### INSTALLATION:

For complete installation instructions please follow 293-69 installation instruction sheet.

### SPECIFICATION:

Tilt mirror assembly shall consist of a mirror and a separate wall frame with built-in wall hanger. Wall frame furnished with tumbler lock for securing mirror to wall frame. Tilt mirror frame shall be type 304 stainless steel with beveled front to hold frame tightly against mirror; corners shall be welded, ground, and polished smooth. Wall frame shall be type 304 stainless steel designed with horizontal locking bars to secure mirror to wall frame. All exposed surfaces shall have satin finish with vertical grain. Select float glass mirror shall be guaranteed for 15 years against silver spoilage. All edges shall be protected by plastic filler strips. Back shall be protected by full-size, shock-absorbing, water-resistant, nonabrasive,  $1/8"$  (3mm) thick polystyrene padding.

Tilt Mirror shall be Model B-293 \_\_\_\_\_ (insert width and height) of Bobrick Washroom Equipment, Inc., Clifton Park, New York; Jackson, Tennessee; Los Angeles, California; Bobrick Washroom Equipment Company, Scarborough, Ontario; Bobrick Washroom Equipment Pty. Ltd., Australia; and Bobrick Washroom Equipment Limited, United Kingdom.

