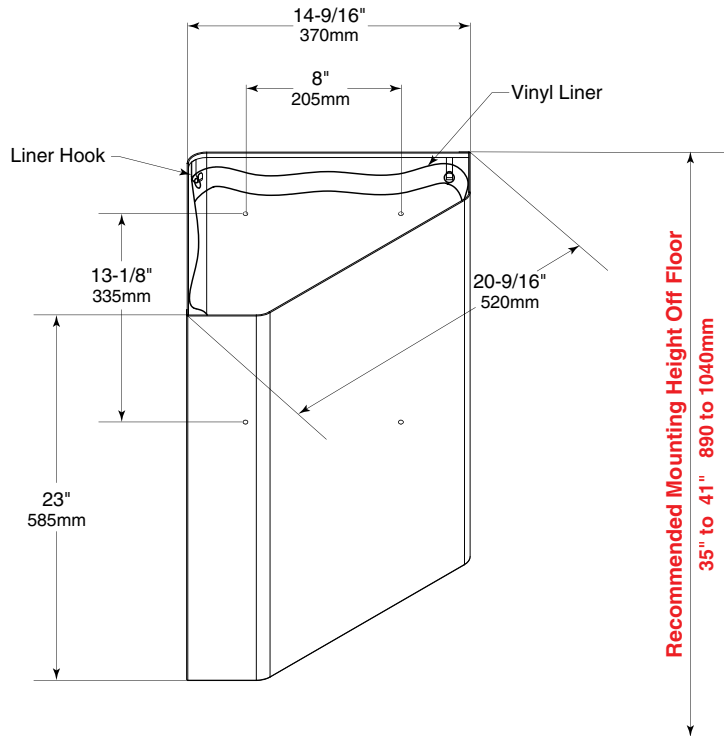




Technical Data

SURFACE-MOUNTED CORNER WASTE RECEPTACLE

B-268



MATERIALS:

Receptacle — 18-8, type 304, 22 gauge (0.8mm) stainless steel with exposed surfaces satin finish. All-welded construction. Top and bottom edges hemmed. Equipped with three spot-welded interior hooks and two hooks adhered to the front for attaching the vinyl liner.

Liner — Heavy-gauge vinyl liner part no. 268-14 attaches to receptacle at five points through heat sealed grommet holes and is removable for servicing.

OPERATION:

Open top, wall-mounted corner waste receptacle has removable vinyl liner for easy servicing. Capacity: 1.8 cu. ft. (13.4 gallons).

INSTALLATION:

Surface-mounted on wall through 4 mounting holes on sides of unit. For installation on stud walls, secure with toggle bolts. For installation on solid walls, use rawl plugs or expansion bolts (not furnished by manufacturer).

SPECIFICATION:

Surface-mounted corner waste receptacle shall be constructed of type 304, 22 gauge (0.8mm) stainless steel with all-welded construction; exposed surfaces shall have satin finish. Top and bottom edges shall be hemmed for safety. Waste receptacle shall have three spot-welded interior hooks and two hooks adhered to the front for attaching the vinyl liner. Waste receptacle shall have a capacity of 1.8 cu. ft. (13.4 gallons) and be furnished with a vinyl liner.

Surface-Mounted Corner Waste Receptacle shall be Model B-268 of Bobrick Washroom Equipment, Inc., Clifton Park, New York; Jackson, Tennessee; Los Angeles, California; Bobrick Washroom Equipment Company, Scarborough, Ontario; Bobrick Washroom Equipment Pty. Ltd., Australia; and Bobrick Washroom Equipment Limited, United Kingdom.

