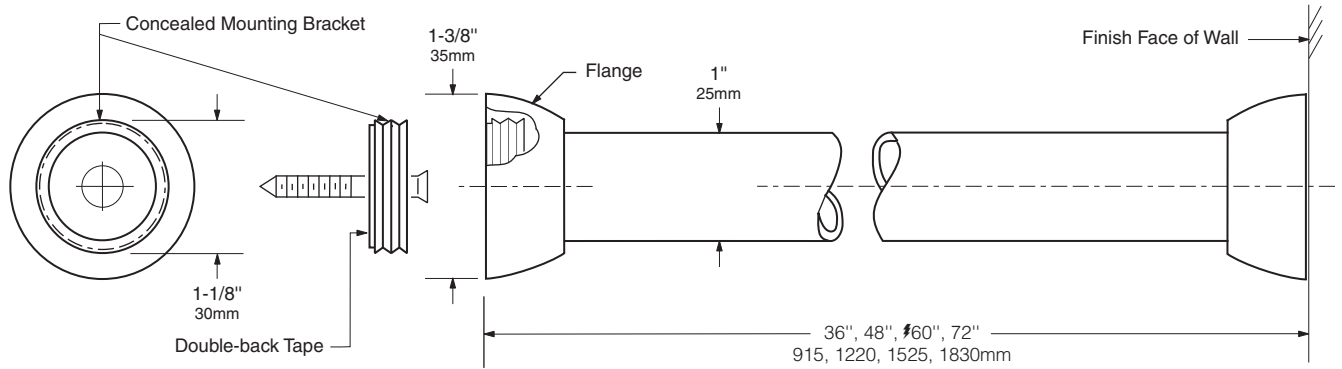




Technical Data

# HEAVY-DUTY SHOWER CURTAIN ROD WITH CONCEALED MOUNTING

# B-207



## MATERIALS:

**Curtain Rod** — 18-8, type-304, 20-gauge (1.0mm) stainless steel tubing with satin finish. 1" (25mm) outside diameter. Available in lengths from 36" (915mm) up to 72" (1830mm).

**Flanges (2)** — 1-3/8" (35mm) diameter. Chrome-plated plastic. Bright polished finish.

**Concealed Mounting Brackets (2)** — Aluminum.

## INSTALLATION:

Remove protective backing from tape attached to concealed mounting brackets. Position mounting brackets on opposite shower walls and secure with screws furnished by manufacturer. For plaster or dry wall construction, provide concealed backing to comply with local building codes, then secure brackets with screws furnished. For other wall surfaces, provide fiber plugs or expansion shields for use with screws furnished, or provide 1/8" (3mm) toggle bolts or expansion bolts. Slide flanges onto opposite ends of curtain rod. Position curtain rod, then screw threaded flanges onto mounting brackets.

## SPECIFICATION:

Shower curtain rod shall be type-304, 20-gauge (1.0mm) stainless steel with satin finish. It shall have an outside diameter of 1" (25mm). Flanges shall be 1-3/8" (35mm) diameter chrome-plated plastic with bright polished finish. Unit shall be equipped with concealed mounting brackets.

**Shower Curtain Rod shall be Model B-207 x \_\_\_\_\_ (insert length) of Bobrick Washroom Equipment Inc., Clifton Park, New York; Jackson, Tennessee; Los Angeles, California; Bobrick Washroom Equipment Company, Scarborough, Ontario; Bobrick Washroom Equipment Pty. Ltd., Australia; and Bobrick Washroom Equipment Limited, United Kingdom.**

