



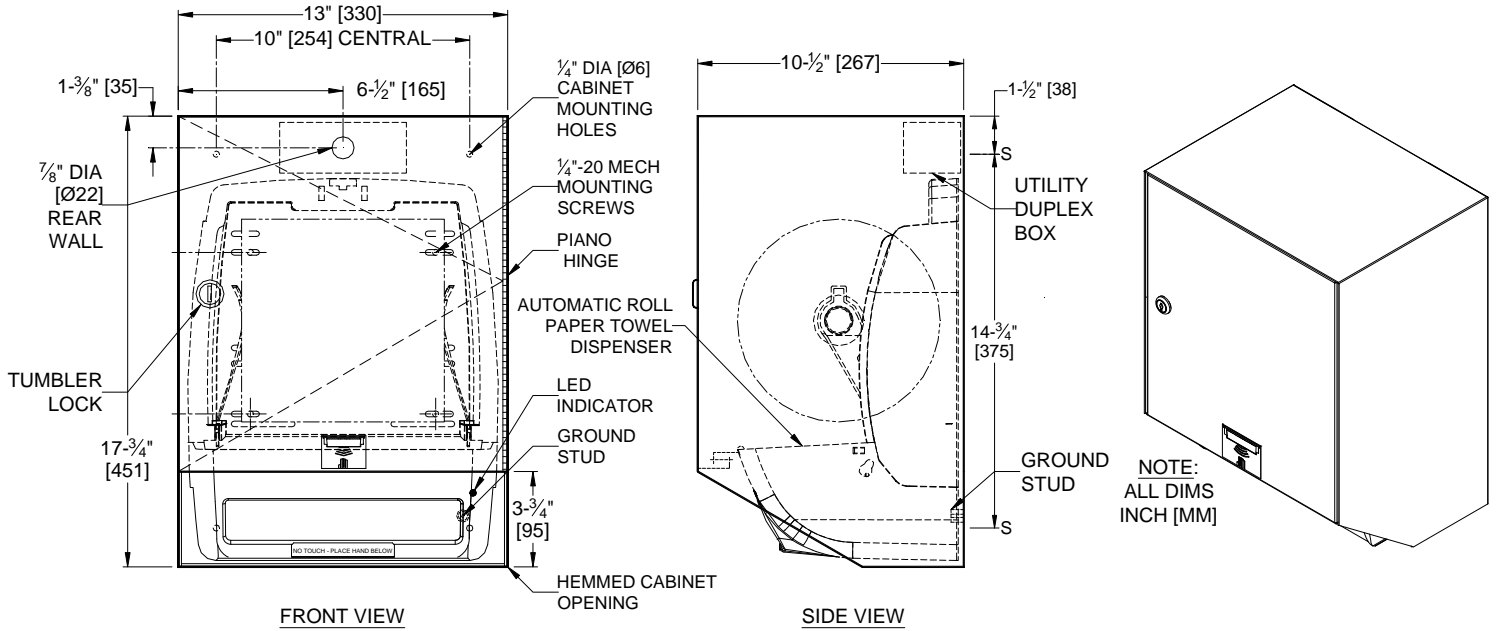
**AMERICAN SPECIALTIES, INC.**  
441 Saw Mill River Road, NY 10701  
(914) 476.9000 • (914) 476.0688  
www.americanspecialties.com

**MODEL No: 8523AC**

ISSUED: 10/09

REVISED: 10/11

## SURFACE MOUNTED AUTOMATIC ROLL PAPER TOWEL DISPENSER



### SPECIFICATION

Surface Mounted Automatic Roll Paper Towel Dispenser shall hold and dispense one 8" wide x 8" diameter (203 x Ø203) standard towel roll up to 800 ft. (244m) long and one 8" wide (203) stub roll up to 4" diameter (Ø102). Automatic Touchless Roll Towel Dispenser shall be powered by C-UL-US and CE approved internal low-voltage adapter (supplied) using 110-240VAC, 50/60 Hz and providing output of 5VDC @ 1A and shall operate automatically to activate towel dispensing when hands are placed in sensor zone. At each activation unit shall feed out a length of towel selected by owner by setting length, delay and paper saver switches. Unit shall have an internal towel cut-off bar. Cabinet and frame shall be 22 gauge type 304 stainless steel alloy 18-8. Towel dispenser door shall be 18 gauge same grade and shall have a full return and formed sill at bottom edge for user safety. All exposed surfaces shall have satin finish protected by PVC film easily removed after installation. Door shall be attached to cabinet at side with a full-length 3/16" diameter (Ø 4.8) stainless steel multi-staked piano hinge and shall be held closed with a tumbler lock keyed alike to other ASI washroom equipment. Structural assembly of all components shall be of welded construction. Cabinet shall have no exposed fastening devices or spot-welded seams.

**Surface Mounted Automatic Roll Paper Towel Dispenser shall be Model № 8523AC as manufactured by American Specialties, Inc., 441 Saw Mill River Road, Yonkers, New York 10701-4913**

### INSTALLATION

Provide adequate in-wall reinforcement (by others) in drywall construction to hold mounted unit in-service after wall is finished. Provide appropriate anchors (by others) to suit wall and field conditions for installation onto walls other than new drywall. Mount unit on wall using № 10 or 1/4" (M5 or M6) x 1-1/2" self-tapping pan head screws (by others) or other suitable fasteners (by others) through concealed mounting holes provided. Power is supplied by code approved cable or conduit (by others) to KO at location indicated on diagram and terminated in utility duplex outlet box (provided) inside cabinet. Power required is 110-240VAC, 50/60 Hz protected by a 15A circuit breaker (by others) for low voltage adapter that draws ¼ Amp. Power adapter for dispenser unit is supplied cabled and plugged into dispenser and is plugged into duplex outlet (by others). Towel mechanism 8372 is supplied installed. Ground wire must be installed to ground stud (provided) with hex nut and washers (provided). For compliance with ICC/ANSI A-117.1-2003 and ADA Accessibility Guidelines install unit so that top edge of towel dispenser opening is 48" (1219) maximum above finished floor (MAX AFF) only if clear floor reach access is provided. Be advised that local codes may require mounting so that top of towel dispenser opening is 40" (1016) MAX AFF (e.g. California UBC/Title 24). For general utility install unit with top of towel dispenser opening between 49" and 56" (1245 to 1422) AFF.

### OPERATION

Towels are dispensed one length at a time automatically when hands are placed in sensor zone until supply is depleted. Owner predetermines length of towel dispensed by making selections on three (3) three-position switches for length, delay, and economy. Unit may be reloaded with a full roll to automatically start when finished with an existing partial roll and will continue to feed properly when reloaded with a full roll and partial roll is transferred to stub roll position. Refill dispenser by unlocking door and replacing towel roll for an empty or partially empty unit. Dispenser supply is replenished manually on cycle determined by maintenance needs. LED indicates sensing and operation. Locking door prevents unauthorized access and roll removal.