



**AMERICAN SPECIALTIES, INC.**

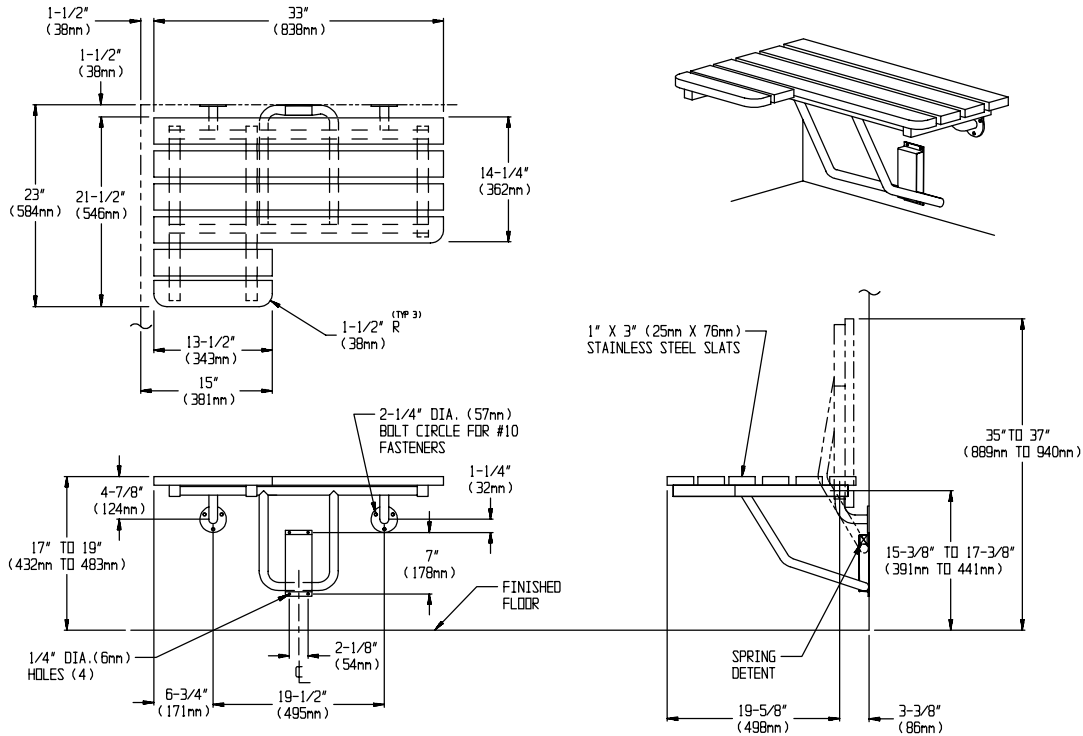
441 Saw Mill River Road, Yonkers, NY 10701 (914) 476-9000  
www.americanspecialties.com

MODEL No: 8208

ISSUED: 1-87

REVISED: 12-05

**FOLD-UP SHOWER STALL SEAT (pg 1 of 2)**



**SPECIFICATION**

Fold-up Shower Stall Seat shall be made of 1" (25mm) dia. and 1-1/4" (32mm) square x 18 gauge (1.3mm) tubing with 3/16" (4.8mm) thick mounting flanges and 16 gauge (1.5mm) guide bracket/arm support. Seat slats shall be 1" x 3" (25mm x 76mm) x 18 gauge rectangular tubing with welded closed ends. All shall be fabricated of seamless type 304, 18-8 alloy stainless steel. All exposed surfaces shall have a N<sup>o</sup> 4 satin finish. Structural assembly shall be of welded construction. All exposed edges and corners shall be radiused and/or deburred. Support arm shall fold up when in retracted position to provide low profile against wall. No extra fittings shall be required to retain seat in storage position. Guide bracket shall control seat lowering into operating position. Unit shall satisfy ADA Accessibility Guidelines when mounted properly.

**Fold-up Shower Stall Seat shall be Model N<sup>o</sup> 8208-\_\_\_\_ (R for right hand or L for left hand) as manufactured by American Specialties, Inc., 441 Saw Mill River Road, Yonkers, NY 10701-4913**

**INSTALLATION**

This unit is surface mounted. Installer/construction contractor must provide concealed anchor plate or blocking as specified in construction documents or as required by local building codes prior to wall finishing. Fasten unit flanges and guide bracket to concealed anchor or blocking plate with appropriate hardware. See "STRENGTH" section below. Note that concealed mounting plates or anchors and hardware are not supplied with this product and must be specified separately. Ensure that mounting configuration complies with local building codes.

**STRENGTH**

ASI Shower Seats are designed to meet and exceed ADAAG requirements as published in CABO/ANSI A117.1-2003 section 610 and CFR 28 Part 36, Federal Register Vol. 56, N<sup>o</sup> 144 July 26, 1991, section 4.21.3 and section 4.26.3 that fabricated product shall be of adequate strength to support a load of 250 pounds (113.4 kg) and unit shall conform to size and edge clearances as diagrammed. Mounting to the wall is a critical part of the system to meet this requirement. To withstand the shear, tension or pullout and torsion loads generated by the maximum loading, the fastener system must be adequately sized. Unit is load rated to support a weight of 500 lbs at front edge when properly installed and has been tested to successfully hold a weight in excess of 1000 lbs.



**AMERICAN SPECIALTIES, INC.**

441 Saw Mill River Road, Yonkers, NY 10701 (914) 476-9000  
www.americanspecialties.com

MODEL No: 8208

ISSUED: 1-87

REVISED: 12-05

**FOLD-UP SHOWER STALL SEAT (pg 2 of 2)**

**MATERIALS**

**Tube:** 18 gauge (.048 in. <1.22mm> thick) type 304 stainless steel, 1" (25mm) dia. and 1-1/4" (32mm) square. Unitized all welded construction. Exposed surfaces are satin finish. Edges and corners are radiused and burr free.

**Flange:** 3/16" (4.8mm) type 304, stainless steel. Exposed surfaces have satin finish. Edges and corners are radiused and burr free.

**Bracket:** 16 gauge (.06 in. <1.52mm> thick) type 304, stainless steel. Exposed surfaces are satin finish. Edges and corners are radiused and burr free.

**Slats:** 18 gauge (.048 in. <1.22mm> thick) type 304, stainless steel. Exposed surfaces shall have satin finish. Edges and corners are radiused and burr free.

**Spring:** Stainless steel wire, type 304, 1" (25 mm) body dia. x 3" (76mm) body length x .075" (1.91mm) wire diameter.

**OPERATION**

Fold-up Shower Seat requires only one hand operation to manually lower to horizontal position for use or raise for departure and arrival. Guide bracket with spring detent prevents seat from dropping and provides positive support in usage position as well as spring locked storage position.