



AMERICAN SPECIALTIES, INC.

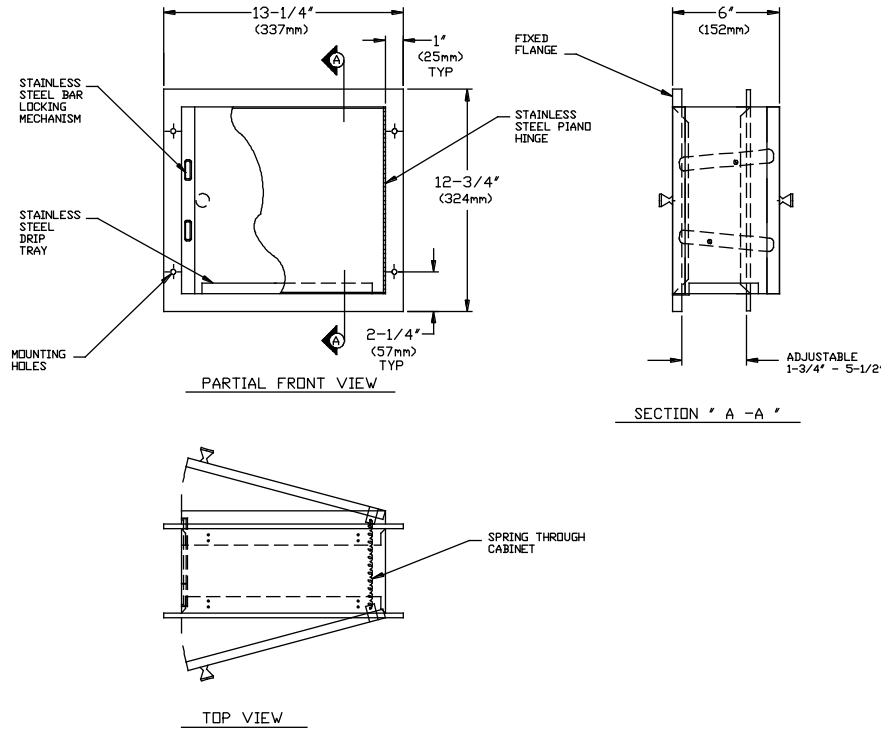
441 Saw Mill River Road, Yonkers, NY 10701 (914) 476-9000

MODEL No: 8154

ISSUED: 1-87

REVISED: 7-99

RECESSED SPECIMEN PASS-THROUGH CABINET



SPECIFICATION

Recessed Specimen Pass-Through Cabinet shall be fabricated of alloy 18-8 stainless steel, type 304, 18 gauge (1.2mm). Adjustable flange and fixed trim shall be 1" (25mm) wide formed from one piece with no miters, welding or open seams and have a 1/4" (6mm) square return to wall or partition. Adjustable flange shall provide an installation range of 1-3/4" to 5-1/2" (44mm to 140mm). Structural assembly of all components shall be of welded construction. Doors shall be attached to the edge of unit with a full length 3/16" (5mm) dia. stainless steel multi-staked piano hinge and shall be held closed with a spring tensioned interlocking mechanism which shall prevent both doors from simultaneous opening. Each door shall have an international decal applied identifying usage. A removable stainless steel drip tray shall be provided at bottom of cabinet. All exposed surfaces shall be N^o 4 satin finish and shall be protected during shipment with a PVC film easily removable after installation.

Recessed Specimen Pass-Through Cabinet shall be Model N^o 8154 as manufactured by American Specialties, Inc., 441 Saw Mill River Road, Yonkers, New York 10701- 4913

INSTALLATION

Unit can be mounted in walls ranging in depth from 1-3/4" to 5-1/2". Fixed flange is secured first through (4) mounting holes which accommodate N^o10 self tapping screws (supplied). Adjustable flange is then secured to opposite side of partition in same manner. For compliance with ADA Accessibility Guidelines, unit should be installed with centerline of doors 54" (1372mm) maximum above finished floor (AFF) if clear floor side reach access is provided or 48" (1219mm) maximum AFF if clear floor forward reach access is only provided or 46" (1168mm) maximum AFF if side reach over an obstruction (i.e. vanity) is only provided. For general utility install unit with centerline of doors 54" (1372mm) AFF.

Rough Wall Opening (RWO) required is.....11-1/2"W x 11"H x 1-3/4" to 5-1/2"D (292mm x 279mm x 44mm to 140mm)

OPERATION

Specimens are deposited through one side of unit and are retrievable on other side when first door is returned to closed position. Drip tray is removable for cleaning.

Accessory Specialties

AMERICAN DISPENSER

Desert Ray Products

WATROUS INC.