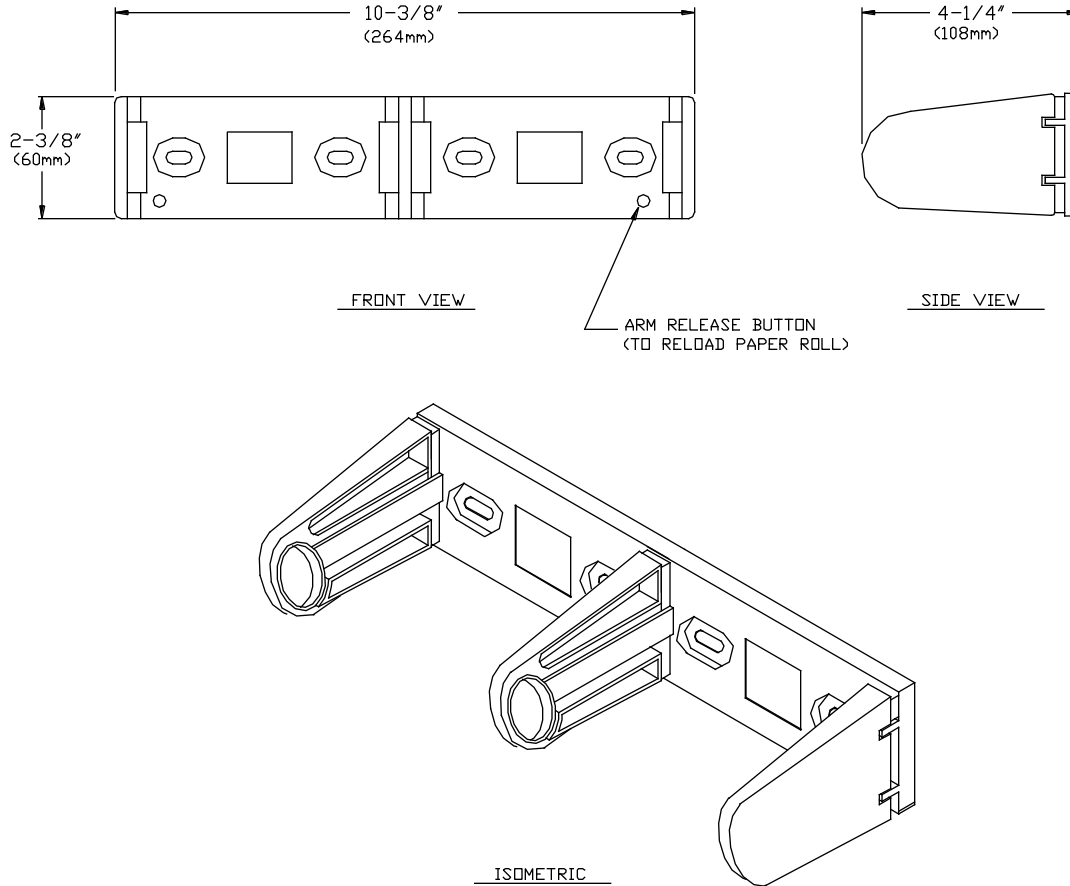




AMERICAN SPECIALTIES, INC.
441 Saw Mill River Road, Yonkers, NY 10701 (914) 476-9000

| | |
|-----------|------|
| MODEL No: | 8032 |
| ISSUED: | 1-87 |
| REVISED: | 9-96 |

SURFACE MOUNTED DOUBLE ROLL TOILET TISSUE HOLDER



SPECIFICATION

Surface Mounted Dual Roll Tissue Holder shall hold and dispense two (2) rolls of all standard core roll tissue, up to 5" (127mm) in diameter. Unit back plate and support arms shall be fabricated of heavy duty cast zinc with a polished chrome finish. Unit shall be provided with two (2) spring tension plates fabricated of stainless steel that shall provide controlled tissue delivery. Unit shall be provided with two (2) concealed release buttons that shall allow support arms to swing open for roll replacement.

Surface Mounted Dual Roll Tissue Holder shall be Model N° 8032 as fabricated by American Specialties, Inc. 441 Saw Mill River Road Yonkers, New York 10701- 4913

INSTALLATION

Unit is surfaced Mounted to wall or partition using N°10 self tapping screws (supplied) through four (4) slots in back plate. For compliance with ADA Accessibility Guidelines unit should be installed with rollers centerline between 44" (1118mm) maximum above finished floor (AFF) and 19" (483mm) minimum AFF and leading edge of roll no further than 36" (914mm) from back wall behind commode.

OPERATION

Tension device prevents roll from spinning freely. Unit is replenished by pushing either concealed button which in turn releases a spring lock mechanism at either end of holder and allows arms to swing open.