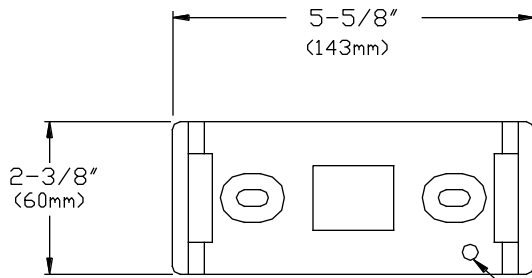




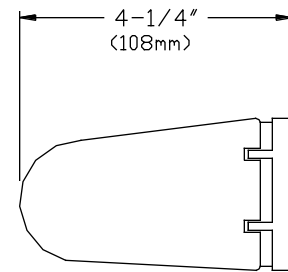
AMERICAN SPECIALTIES, INC.
441 Saw Mill River Road, Yonkers, NY 10701 (914) 476-9000

MODEL No:	8010
ISSUED:	1-87
REVISED:	9-96

SURFACE MOUNTED SINGLE ROLL TOILET TISSUE HOLDER

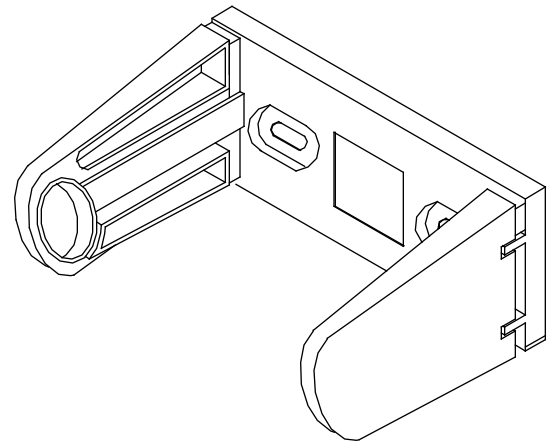


FRONT VIEW



SIDE VIEW

ARM RELEASE BUTTON
(TO RELOAD PAPER ROLL)



ISOMETRIC

SPECIFICATION

Surface Mounted Single Roll Tissue Holder shall hold and dispense all standard core roll tissue, up to 5" (127mm) in dia. Unit back plate and support arms shall be fabricated of heavy duty cast zinc with a polished chrome finish. Unit shall be provided with a spring tension plate fabricated of stainless steel that shall provide controlled tissue delivery. Unit shall be provided with a concealed release button that shall allow support arm to swing open for roll replacement.

Surface Mounted Single Roll Tissue Holder shall be Model N° 8010 as fabricated by American Specialties, Inc. 441 Saw Mill River Road Yonkers, New York 10701- 4913

INSTALLATION

Unit is surface mounted to wall or partition using N°10 self tapping screws (supplied) through two (2) slots in plate. For compliance with ADA Accessibility Guidelines, unit should be installed with roller centerline between 44" (1118mm) maximum above finished floor (AFF) and 19" (483mm) minimum AFF and leading edge of roll no further than 36" (914mm) from back wall behind commode.

OPERATION

Tension device prevents roll from spinning freely. Unit is replenished by pushing a concealed button which in turn releases a spring lock mechanism at one end of holder and allows arm to swing open.