



**AMERICAN SPECIALTIES, INC.**

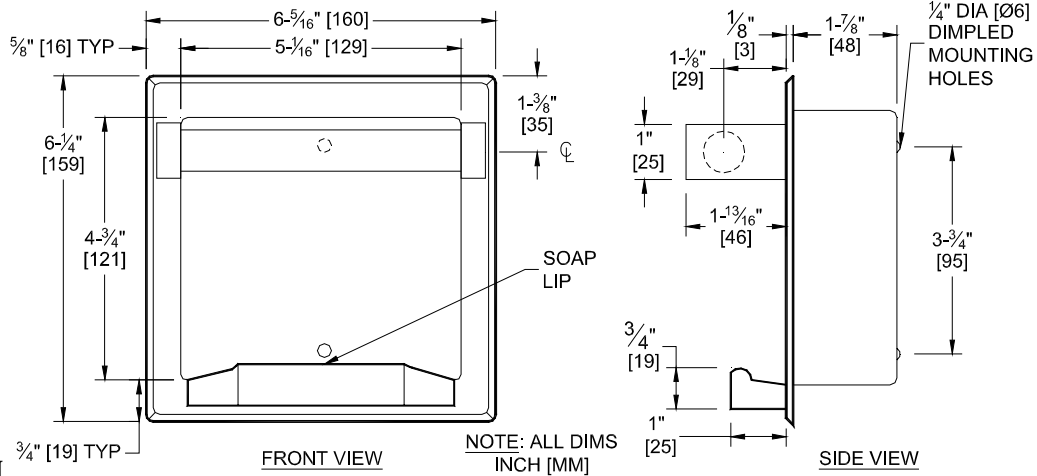
441 Saw Mill River Road, Yonkers, NY 10701 (914) 476-9000  
www.americanspecialties.com

MODEL No: 7410

ISSUED: 01-87

REVISED: 12-06

**STAINLESS STEEL SOAP DISH AND BAR**



**SPECIFICATION**

Recessed Mounted Soap Dish with Bar shall be drawn and seamless of one-piece construction fabricated of 22 gauge stainless steel type 304 alloy 18-8. Back shell shall have two (2) perforated lugs for wet wall anchoring or two (2) dimpled holes for dry wall installation. A stainless steel raised lip shall be provided to prevent soap from slipping out of holder. Bar shall be held permanently between two (2) posts at top of unit. All exposed surfaces shall be satin or bright finish as chosen by option and indicated by code suffix. Mounting style shall be wet wall or dry wall as chosen by option and indicated by code suffix.

**Recessed Mounted Soap Dish with Bar shall be Model N° 7410-BD (or N°7410-SD or N° 7410-SW or N° 7410-BW) of American Specialties, Inc. 441 Saw Mill River Road, Yonkers, New York 10701-4913**

**INSTALLATION**

For general utility mount unit so that top of soap shelf is 52" (1321) above finished floor (AFF) or 6" (152) above vanity basin.

**For Wet wall Recessed Mounting:** Apply grout to back of unit and on perforated lugs and push unit into opening to seat flange flush with wall face. Allow unit to set and grout to cure before use.

**For Standard Dry Wall Recessed Mounting:** Use two (2) N° 10 stainless steel Philips flat or oval head self tapping or wood screws (by others) of suitable length to penetrate blocking in back of RWO by approximately 1/2" (13). Apply a continuous bead of silicone sealant (by others) behind flange and under screw heads. Tighten screws to hold flange tight against finished wall face. Wipe off excess sealant immediately.

**Optional Method for Dry Wall Recessed Mounting:** Order separate item Model N° 39 dry wall clamp. Loosely attach clamp to the back of the unit with two (2) stainless steel Philips flat or oval head N° 10B (or 10AB or 10BP) self tapping screws (provided by others to suit wall conditions) through dimpled holes at back of shell. Apply a continuous bead of silicone sealant (by others) behind flange and under screw heads. Insert into RWO and adjust clamp so that it grips inside wall surface through opening. Secure accessory to clamp and wall by tightening screws. Wipe off excess sealant immediately.

**For compliance with ADA Accessibility Guidelines:** unit should be installed with soap shelf 48" (1219) max AFF. Locate on adjacent wall to any shower seat or tub seat (either supplied separately or by others) and within 27" (1219) from wall behind seat to centerline of dispenser.

**Rough Wall Opening (RWO) required is 5-1/2" W x 5-1/2" H x 2" D (140 x 140 x 51)**

**OPTIONS AVAILABLE**

Optional finish and mounting style must be specified as either bright or satin and wet or drywall. Specify finish and mounting by adding code suffixes to model number (i.e. 7410-BD or 7410-BW or 7410-SD or 7410-SW).

<b>Option</b>	B		D		S		W	
<b>Specifies</b>	Bright Finish		Dry wall holes		Satin Finish		Wet wall lugs	

Accessory Specialties

AMERICAN DISPENSER

Desert Ray Products

WATROUS INC.