



**AMERICAN SPECIALTIES, INC.**

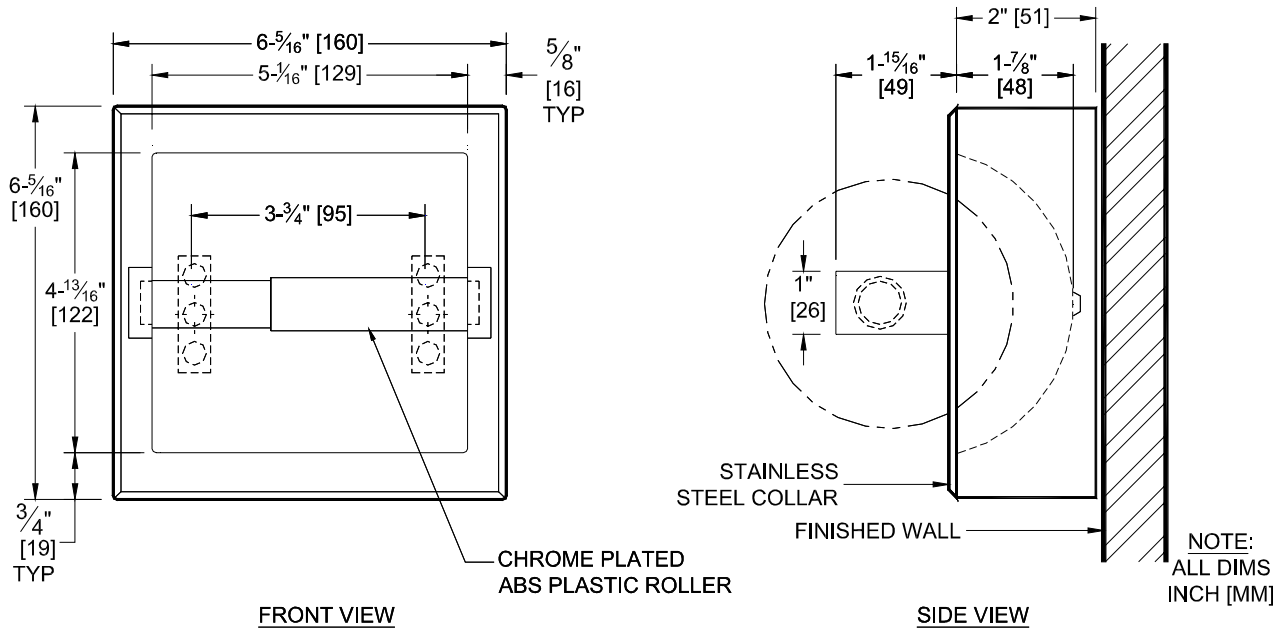
441 Saw Mill River Road, Yonkers, NY 10701 (914) 476-9000  
www.americanspecialties.com

MODEL No: 7402-SM

ISSUED: 01-87

REVISED: 12-06

**SURFACE MOUNTED ROLL TOILET PAPER HOLDER**



**SPECIFICATION**

Surface Mounted Toilet Paper Holder shall hold and dispense all standard core roll tissue up to 6" diameter (Ø152) roll and shall be of one piece construction fabricated of stainless steel type 304 alloy 18-8. Outer shell shall have two (2) dimpled holes for installation. Roller shall be chrome plated high impact resistant ABS plastic and shall be spring-loaded. Mounting collar shall be fully enclosed and shall fit behind unit flange. All exposed surfaces shall be satin or bright finish as chosen by option and indicated by code suffix.

**Surface Mounted Toilet Paper Holder shall be Model N° 7402-BSM (or N° 7402-SSM) of American Specialties, Inc., 441 Saw Mill River Road, Yonkers, New York 10701-4913**

**INSTALLATION**

**For Standard Dry Wall Mounting:** Locate unit and transfer hole positions to wall. Drill two (2) 7/32" diameter (Ø5.6) clearance holes through tile and/or wallboard only. Use two (2) N° 10 stainless steel Philips flat or oval head self-tapping or wood screws (by others) of suitable length to penetrate blocking in wall by approximately 1/2" (13). Tighten screws to hold unit tight against finished wall face.

**Optional Method for Dry Wall Mounting:** Locate unit and transfer hole positions to wall. Drill two (2) holes appropriate for expansion anchors into masonry substrate. Tap proper expansion anchors (provided by others to suit wall conditions) into wall to be flush with wall face. Use two (2) stainless steel Philips flat or oval head N° 10AB self-tapping screws (provided by others to suit wall conditions) through dimpled holes at back of shell. Tighten screws to hold unit tight against finished wall face.

**For compliance with ADA Accessibility Guidelines** install unit with centerline of roller 19" (483) min AFF to 42" (1067) max AFF and 7" (178) min to 9" (229) max from front of commode to centerline of dispenser.

**OPTIONS**

Optional finish must be specified as either Bright or Satin. Specify finish by adding code suffixes to model number (i.e. 7402-BSM or 7402-SSM).

<b>Option</b>	B		S	
<b>Specifies</b>	Bright Finish		Satin Finish	