

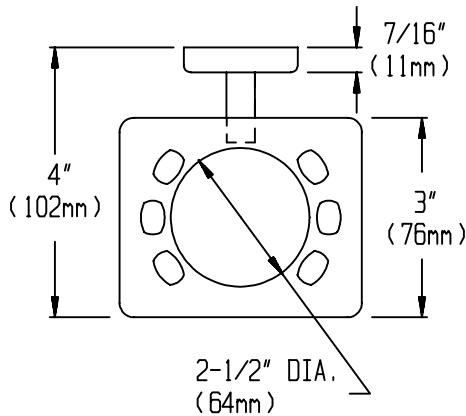


AMERICAN SPECIALTIES, INC.
441 Saw Mill River Road, Yonkers, NY 10701 (914) 476-9000
www.americanspecialties.com

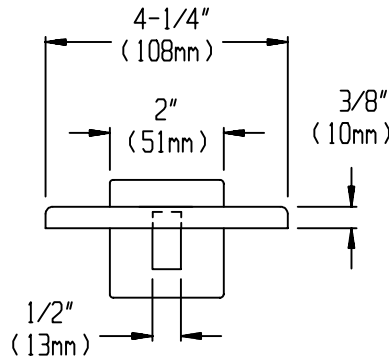
MODEL No:	7335
ISSUED:	1-87
REVISED:	1-06

TUMBLER AND TOOTHBRUSH HOLDER

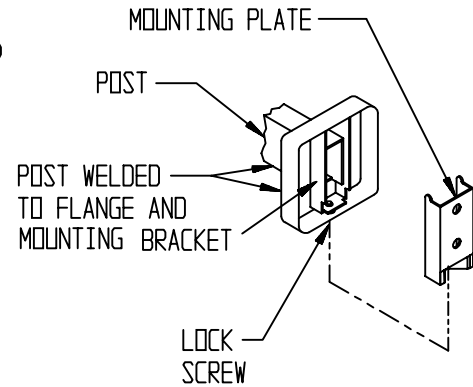
Specify Finish Required → -B = Bright Stainless Steel
 -S = Satin #4 Stainless Steel



TOP VIEW



FRONT VIEW



CONCEALED MOUNTING DETAIL

SPECIFICATION

Tumbler and Toothbrush Holder shall be fabricated of stainless steel alloy 18-8, type 304. Holder tray shall be of drawn seamless construction with a 2-1/2" (64mm) dia. hole to hold a tumbler and slots to hold six (6) standard toothbrushes. Support post shall be 1" x 1/2" (25mm x 13mm) rectangular tubing with formed mounting flange and bracket welded on end. A stainless steel setscrew shall be provided on bottom perimeter of flange to lock unit to mounting plate. Mounting plate shall be provided and shall be 18 gauge. Surface finish shall be bright or satin as chosen by option and indicated by code suffix.

Tumbler and Toothbrush Holder shall be Model N° 7335-B or N° 7335-S of American Specialties, Inc., 441 Saw Mill River Road, Yonkers, New York 10701-4913

INSTALLATION

Surface mount unit on wall using N°10 self tapping screws (by others) through holes provided in mounting plate into suitable prepared mountings (by others) or other suitable mounting hardware (by others) to suit wall conditions. Hang post and flange assembly on mounting plate and tighten setscrew to lock unit to plate. For compliance with ICC/ANSI A-117.1-2003 and ADA Accessibility Guidelines install unit with top of holder tray 48" (1219mm) maximum above finished floor (MAX AFF) if clear floor forward reach or if clear floor side reach access only is provided or 46" (1168mm) MAX AFF if side reach access over an obstruction (e.g. vanity) with reach depth greater than 10" (254mm) and less than 25" (635mm) is only provided or 44" (1118mm) MAX AFF if forward reach over an obstruction with reach depth greater than 20" (508mm) and less than 25" (635mm) is only provided. For general utility mount unit with top of holder tray 8" to 12" (203mm to 305mm) above vanity basin.

OPERATION

Tumbler hole will accommodate a standard tumbler that tapers to less than 2-1/4" (57mm) dia. at bottom, or a straight tumbler of 2-1/8" (54mm) dia. with a rim larger than 2-1/2" (64mm) dia. Toothbrush holder accommodates up to six (6) toothbrushes