



AMERICAN SPECIALTIES, INC.

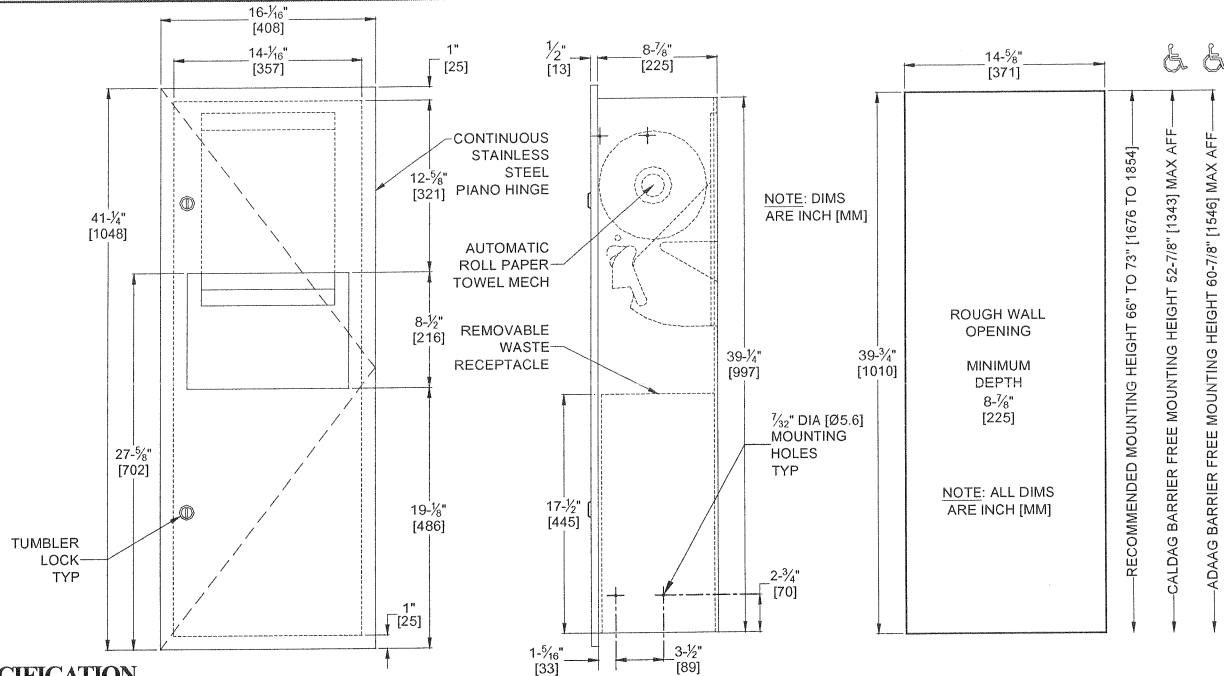
441 Saw Mill River Road, Yonkers, NY 10701 (914) 476-9000
www.americanspecialties.com

MODEL No: 64696A

ISSUED: 01-08

REVISED: 05-08

RECESSED AUTOMATIC ROLL PAPER TOWEL DISPENSER AND WASTE RECEPACLE



SPECIFICATION

Recessed Automatic Roll Paper Towel Dispenser and Waste Receptacle shall hold and dispense one 8" diameter (Ø203) x 8" wide (203) standard towel roll up to 800 ft. (244m) long and one 8" wide (203) stub roll up to 4" diameter (Ø102) and shall have a waste capacity of 9.4 gallons (36 liters). An automatically operated dispensing mechanism shall be supplied. Dispenser shall be powered by four (4) D-size batteries (not supplied) and shall activate to dispense when hands are placed in sensor zone. Unit shall feed out a 12" (305) length of towel with each activation and shall have an internal tear-off bar for towel pull out. Towel dispensing opening shall have a fully deburred edge for snag free dispensing and user safety. Full-face door, cabinet, dispenser and waste receptacle shall be fabricated of type 304 stainless steel alloy 18-8. All exposed surfaces shall have a N^o 4 satin finish and shall be protected during shipment with PVC film easily removable after installation. Door shall be fabricated of 18 gauge, fabricated from one piece, with no miters, welding or open seams on face and have 1/2" (13) square returns to the wall. Cabinet shall be 20 gauge with a 1" (25.4) wide perimeter trim to lay flush against wall. Unit back plate for mechanism shall be fabricated of same grade 18 gauge. Door shall be attached to the cabinet body with a full length 3/16" diameter (Ø4.8) stainless steel multi-staked piano hinge and shall be held closed with two (2) tumbler locks keyed alike to other ASI washroom equipment. Waste container shall have hemmed edges for safety and a finger grip for easy removal. Structural assembly of all components shall be of welded construction.

Recess Mounted Automatic Roll Paper Towel Dispenser and Waste Receptacle shall be Model N^o 64696A as manufactured by American Specialties, Inc., 441 Saw Mill River Road, Yonkers, New York 10701-4913

INSTALLATION

Install unit in wall recess using N^o 10 self-tapping screws (by others) through concealed mounting holes provided. Note that top of Rough Wall Opening (RWO) is 3/4" (19) below top of unit. For compliance with ADA Accessibility Guidelines, install unit so that top edge of towel dispenser opening is 48" (1219mm) maximum above finished floor (MAX AFF).

RWO required is 14-5/8" W x 39-3/4" H x 8-7/8"D (371 x 1010 x 225)

OPERATION

Towels are dispensed one at a time automatically when hands are placed in sensor zone until supply is depleted. Unit may be reloaded with a full roll to automatically start when finished with an existing partial roll and will continue to feed properly when reloaded with a full roll and partial roll is transferred to stub roll position. Refill dispenser by unlocking door and replacing towel roll for an empty or partially empty unit. Dispenser supply is replenished and waste container is emptied manually on cycles determined by maintenance needs. Locking full-face door over compartments prevents unauthorized access or removal.

Accessory Specialties

AMERICAN DISPENSER

Desert Ray Products

WATROUS INC.

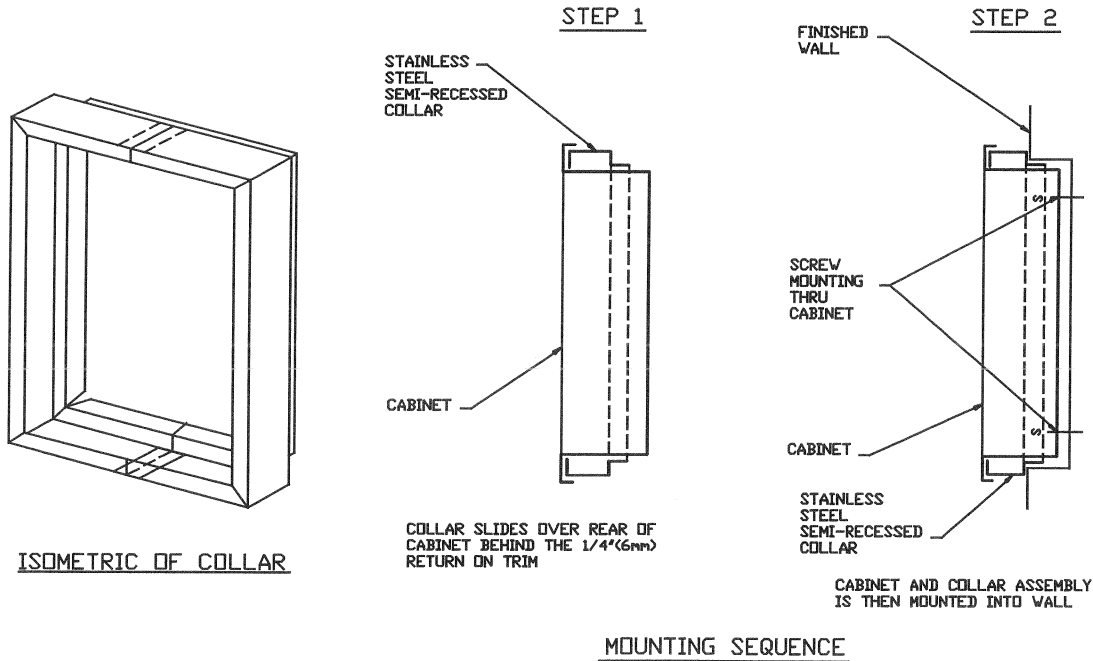


AMERICAN SPECIALTIES, INC.
441 Saw Mill River Road, Yonkers, NY 10701 (914) 476-9000

SR-COLLAR

ISSUED: 1-87
REVISED: 3-99

SEMI-RECESSED MOUNTING COLLAR



ISOMETRIC OF COLLAR

SPECIFICATION

Adapter collar for Semi-Recessed installations shall be fabricated of type 304, 18-8 alloy stainless steel, N^o22 gauge. All exposed surfaces shall have satin finish. Unit shall be protected for shipment with a PVC film easily removed after installation. Unit shall be sized to fit snugly under the 1/4" (6mm) return of the mating cabinet. There shall be no seams on the vertical sides or the corners of the collar. After installation the collar shall be NON-REMOVABLE.

Semi-Recessed Mounting Collar shall be (Cabinet Model N^o followed by suffix) -2, -4, or -6 of American Specialties, Inc., 441 Saw Mill River Road, Yonkers, NY 10701-4913.

INSTALLATION

Collar slides over rear of cabinet and under the 1/4" (6mm) return of the mating cabinet. Assembly of collar and cabinet is then placed into normal RWO. Standard mounting hardware supplied with cabinet is used as normal.

OPERATION

Semi-recessed collars conveniently adapt standard recessed mounting cabinets for use in walls with insufficient depth for full recessing. Collar is fabricated to the specific width and height size of the cabinet upon which it is being used. The depth is set to accommodate the difference between available wall depth and the mounting depth of the cabinet being used.

COLLAR SUFFIX	DIFFERENCE BETWEEN CABINET DEPTH AND WALL DEPTH (PROTRUSION)
-2 (FORMERLY SR-2)	UP TO 2" (0 - 51mm)
-4 (FORMERLY SR-4)	2" TO 4" (51mm - 102mm)
-6 (FORMERLY SR-6)	4" TO 6" (102mm - 152mm)