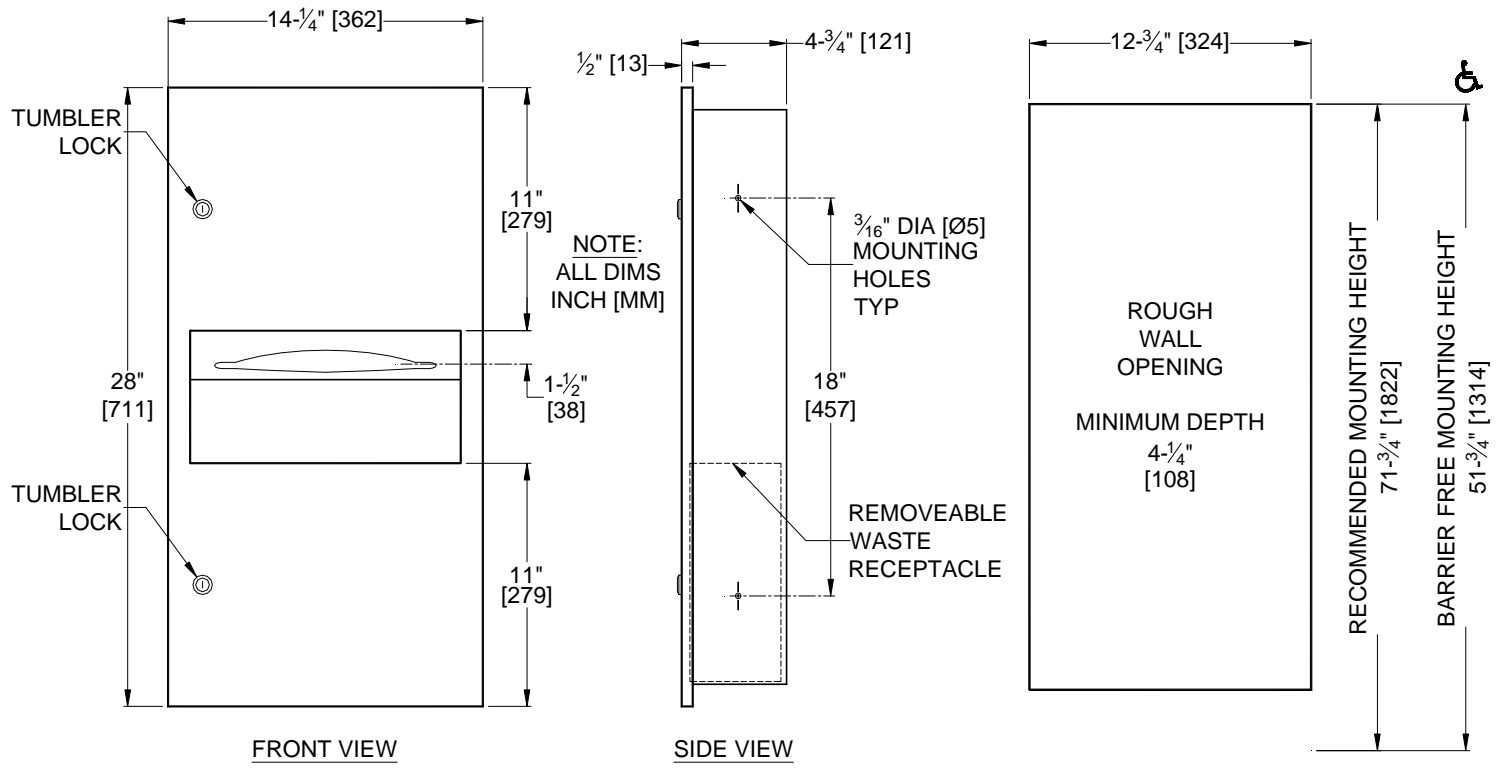




AMERICAN SPECIALTIES, INC.
441 Saw Mill River Road, NY 10701
(914) 476.9000 • (914) 476.0688
www.americanspecialties.com

MODEL №:	64623
ISSUED:	01/87
REVISED:	11/11

RECESSED PAPER TOWEL DISPENSER AND WASTE RECEPTACLE



SPECIFICATION

Recessed Paper Towel Dispenser and Waste Receptacle shall hold and dispense 475 standard multi-fold or 350 standard C-fold paper towels and shall have a waste capacity of 2.2 gal. (8.4 liters). Cabinet, door, dispenser, and waste receptacle shall be fabricated of alloy 18-8 stainless steel, type 304. Cabinet shall be № gauge with a 1" (25) wide perimeter trim to lay flush against wall and shall have no exposed fastening devices. All exposed surfaces shall have a satin finish and shall be protected by a PVC film easily removable after installation. Door shall be № 18 gauge and shall be attached to the cabinet body with a full length 3/16" diameter [Ø5] stainless steel multi-staked piano hinge, and shall be held closed with a tumbler lock keyed alike to other ASI washroom equipment. Towel dispensing slot shall have a fully deburred edge for snag free dispensing and user safety. Waste receptacle shall have a rolled edge finger hole for easy servicing and removal.

Recessed Paper Towel Dispenser and Waste Receptacle shall Model № 64623 as manufactured by American Specialties, Inc., 441 Saw Mill River road, Yonkers, NY 10701-4913

INSTALLATION

Unit is mounted in wall recess with № 10 self-tapping screws (by others) through concealed mounting holes provided. Note that top of rough wall opening is 3/4" (19) below top of unit.

Rough Wall Opening (RWO) required is 12-3/4" W X 26-1/2" H X 4-1/4" D minimum (324 x 673 x 108)

OPERATION

Towels are self feeding until supply is depleted. Unit will continue to feed properly when reloaded with a partial load in place. Waste receptacle is emptied manually on a cycle determined by maintenance needs. Locked door prevents unauthorized access or removal.