



**AMERICAN SPECIALTIES, INC.**

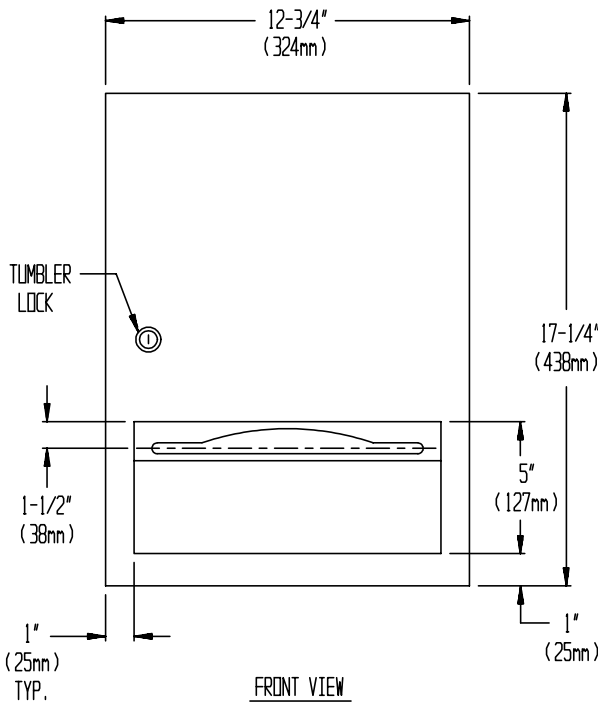
441 Saw Mill River Road, Yonkers, NY 10701 (914) 476-9000

MODEL No: **6457**

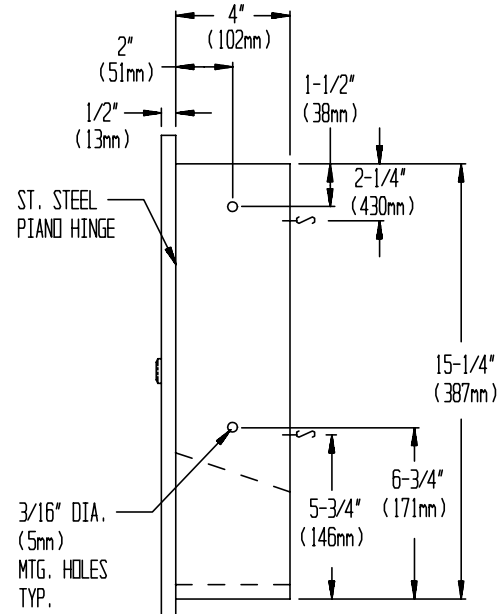
ISSUED: 1-87

REVISED: 9-04

**RECESSED PAPER TOWEL DISPENSER**



FRONT VIEW



SIDE VIEW

**SPECIFICATION**

Recessed Paper Towel Dispenser shall hold and dispense 475 standard multi-fold or 350 standard C-fold paper towels. Towel dispenser door, frame and cabinet shall be fabricated of alloy 18-8 stainless steel, type 304. Cabinet shall be 20 gauge with a 1" (25mm) wide perimeter trim to lay flat against wall or partition and 'shall have no exposed fastening devices. Towel dispensing slot shall have a fully hemmed-in rolled edge for snag-free dispensing and user safety. Full face door shall be 18 gauge formed from one piece with no mitres, welding, or open seams on face and shall have a 1/2" (13mm) square return to wall. Door shall be attached to the side of cabinet with a full length 3/16"(5mm) dia. stainless steel multi-staked piano hinge and shall be held closed with tumbler lock keyed alike to other ASI washroom equipment. Structural assembly of all components shall be of welded construction. All exposed surfaces shall be N° 4 satin finish and be protected during shipment with a PVC film easily removable after installation.

**Recessed Paper Towel Dispenser shall be Model N° 6457 as manufactured by American Specialties, Inc., 441 Saw Mill River Road, Yonkers, New York 10701-4913**

**INSTALLATION**

Unit is mounted in wall recess using N° 10 self tapping screws (by others) through concealed mounting holes provided. For compliance with ADA Accessibility Guidelines, unit should be installed so that towel dispenser slot is 54" (1372mm) maximum above finished floor (AFF) if clear floor side reach access is provided or 48" (1219mm) max. AFF if clear floor forward reach access only is provided. For general utility mount unit 42" (1067mm) from top of finished floor to bottom of unit. Note that top of RWO is 3/4" (19mm) below top of unit.

**Rough Wall Opening (RWO) required is.....11-1/4" W x 15-3/4" H x 4-1/4"D minimum (286mm x 400mm x 108mm)**

**OPERATION**

Towels are self-feeding until supply is depleted. Unit may be reloaded with a partial load in-place and will continue to feed properly.