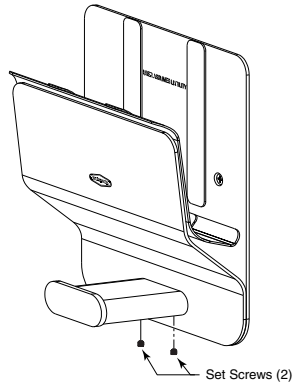
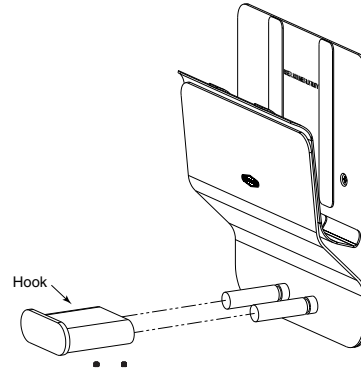


INSTRUCTIONS FOR INSTALLATION

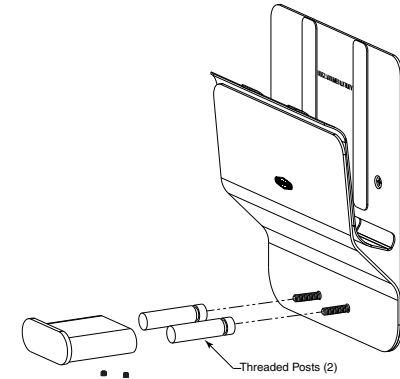
Bobrick KLUTCH B-635 MOBILE DEVICE HOLDER



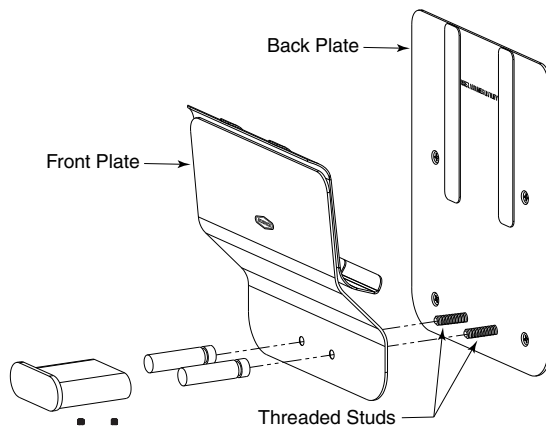
1. Removing set screws located at the bottom of the hook assembly using Allen wrench (not provided).



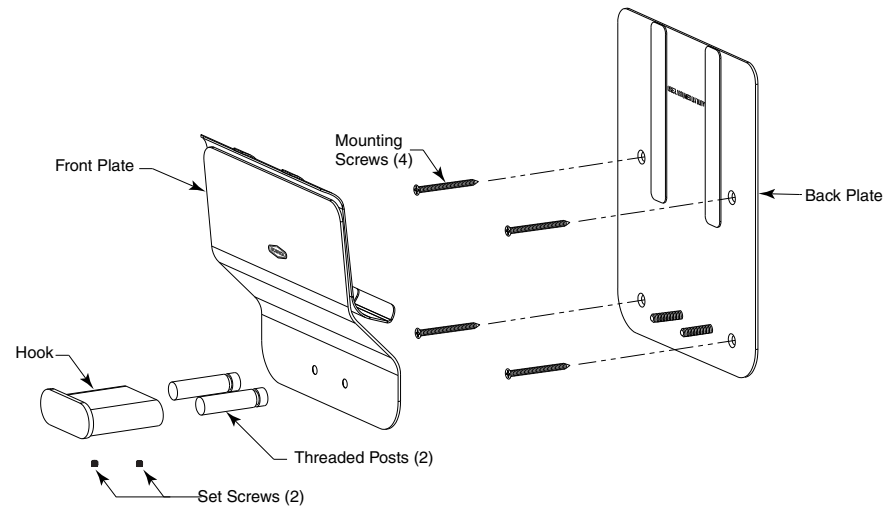
2. Loosen hook.



3. Remove threaded posts by hand.



4. Remove Front-Plate from Back-Plate by pulling the Front-Plate off the threaded studs.



5. Mount unit against the wall at screw hole locations and secure the item by using #8 sheet metal mounting screws (not furnished), length of screw depends on wall-depth (partition-wall to masonry).

Finalize installation and replace the front-plate, threaded posts and hook (including set screws) by proceeding back in reverse direction from 4. to 1.



© 2018 by Bobrick Washroom Equipment, Inc.
Form No. 635-69 Issued 12/18/18

In the U.S.A.: BOBRICK WASHROOM EQUIPMENT, INC.

Los Angeles: 6901 Tujunga Ave., North Hollywood, CA 91605-6213 • Tel: (818) 982-9600 • FAX: (818) 503-1102
New York: 200 Commerce Drive, Clifton Park, NY 12065-1350 • Tel: (518) 877-7444 • FAX: (518) 877-5029,
or e-mail: customerservice@bobrick.com

In Canada: BOBRICK WASHROOM EQUIPMENT COMPANY

45 Rolark Drive, Scarborough, Ontario M1R 3B1
Eastern Canada: Tel: (877) 423-6555 • FAX: (877) 423-8555 •



Handy Washroom Direct

www.handywashroom.com