



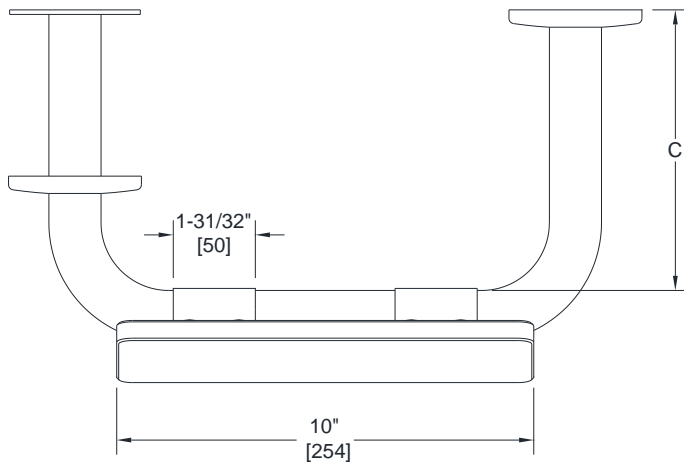
AMERICAN SPECIALTIES, INC.
 441 Saw Mill River Road, Yonkers, NY 10701
 (914) 476.9000 • (914) 476.0688
 www.americanspecialties.com

MODEL №: 3777-T1

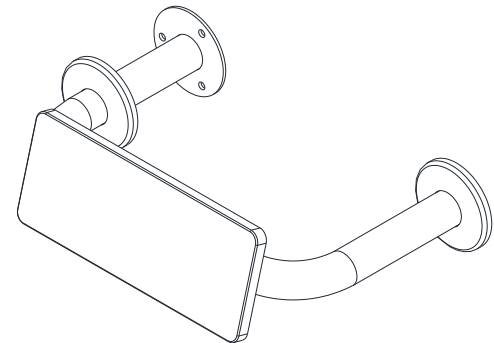
ISSUED: 08-16

REVISED: 19 AUG 2019

BACKREST BAR WITH ADJUSTABLE ANGLE BACK SUPPORT (Pg 1 of 2)



TOP VIEW



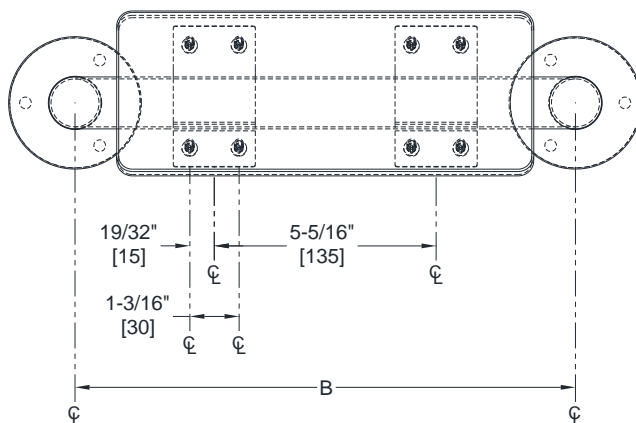
ISOMETRIC

NOTE

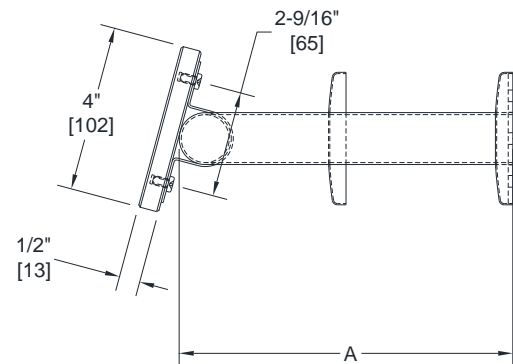
ALL DIM'S INCH [MM]

ILLUSTRATION FOR REF ONLY AND NTS

FOR CLEANING INSTRUCTIONS SEE APPROPRIATE SECTIONS
 IN PRODUCT CARE & MAINTENANCE BULLETIN (PCM) ON ASI
 WEBSITE



FRONT VIEW



SIDE VIEW

SPECIFICATION

Backrest Bar with adjustable angle back support shall be 1-1/4" O.D. [Ø32] 18 gauge type 304 stainless steel alloy 18-8 satin finish tubing with 11 gauge concealed mounting flanges and 22 gauge satin finish snap flange covers. Back rest shall be solid 1/2" [13] thick white Phenolic with black edges, radiused corners, and all edges chamfered. Back support is easily set to accommodate any angle by simply rotating on large heavy gauge swivel hinges

Backrest Bar with Adjustable Angle Back Support shall be Model № 3777-T1 _____ (specify suffix) as manufactured by American Specialties, Inc., 441 Saw Mill River Road, Yonkers, NY 10701-4913

INSTALLATION

Backrest Bar shall be installed in similar fashion to grab bar, see 3700 Series TDS.





AMERICAN SPECIALTIES, INC.
441 Saw Mill River Road, Yonkers, NY 10701
(914) 476.9000 • (914) 476.0688
www.americanspecialties.com

MODEL №: 3777-T1

ISSUED: 08-16

REVISED: 19 AUG 2019

BACKREST BAR WITH ADJUSTABLE ANGLE BACK SUPPORT (Pg 2 of 2)

OPERATION

Backrest Bar rigidly supports user and prevents back slumping against toilet flush control. The adjustable back support provides an inclinable angle back rest to allow full face back contact for user to prevent pressure edge or point contact and thereby provide seating comfort and security.

Schedule of Model № Suffix Codes			
Model № Suffix	A	B	C
3777-T1-5.5-12	5-1/2" [140]	12" [305]	4-1/4" [108]
3777-T1-5.5-24	5-1/2" [140]	24" [610]	4-1/4" [108]
3777-T1-8-12	8" [203]	12" [305]	6-3/4" [171]

